

ACOUSTIC ENCLOSURE

BRAND : TRC



Specification.

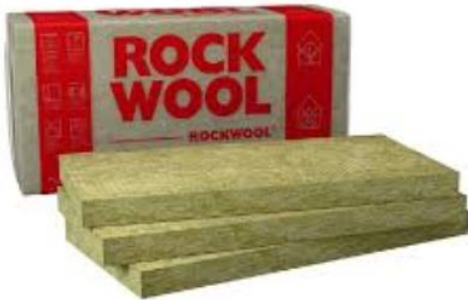
* Sound reduced around 10-15 dB

* Material for making on request .

- Carbon Steel Sheet
- Galvanized Sheet ,
- Stainless Steel Sheet (SUS304)

* Insulator

- ROCKWOOL



- FOAM

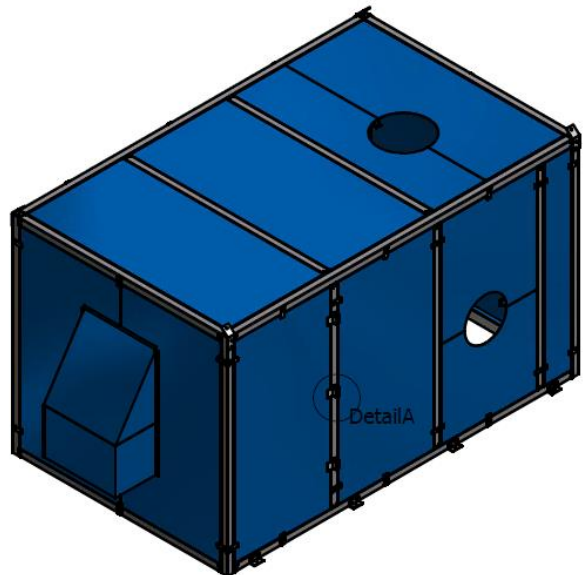
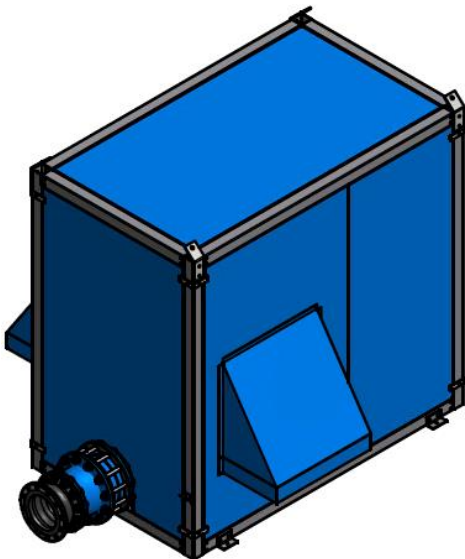
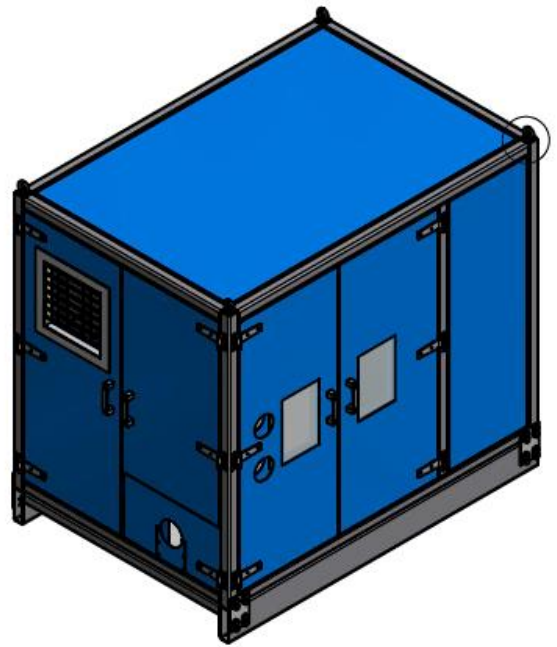
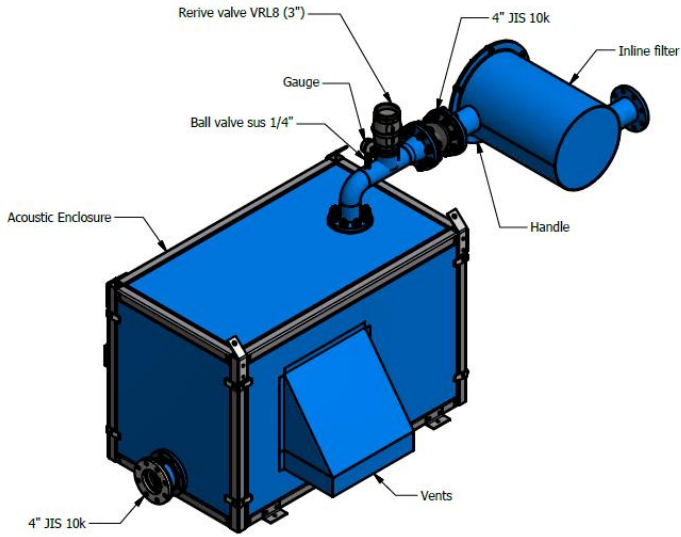
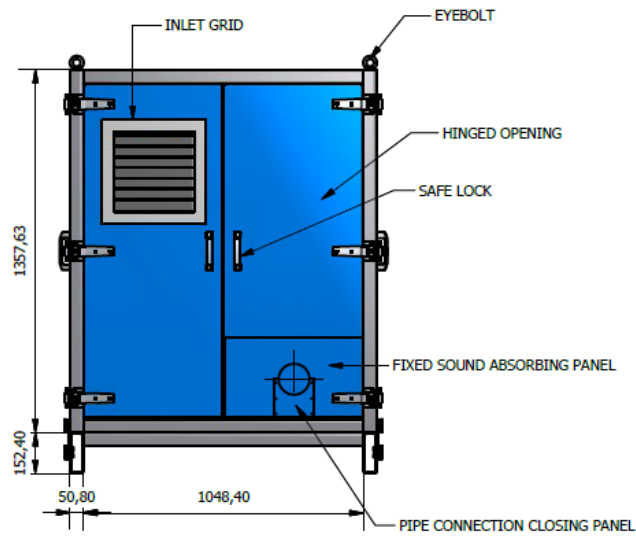
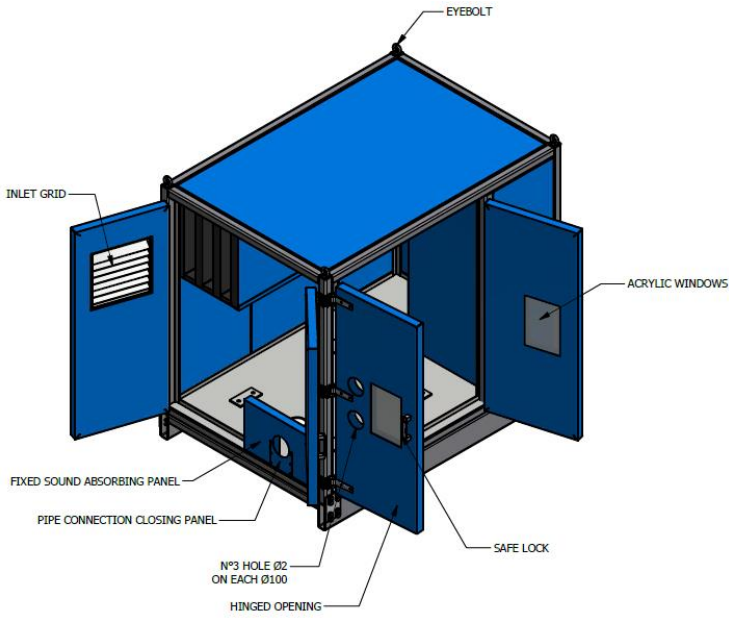


Special For Large Size 2.5x5x3 Meter.





TRC DESIGN

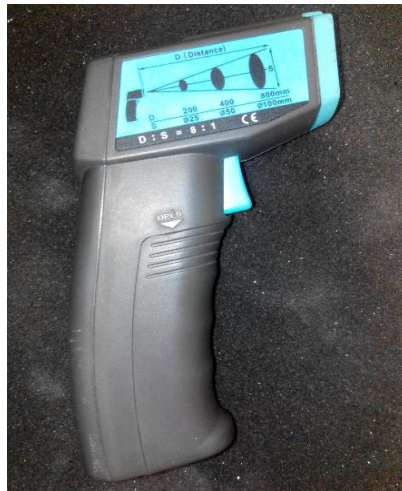


TRC CHECKING

- **Sound Check**
- **Temperature Check**



SOUND LEVEL METER



LASER THERMOMETER



THERMOMETER