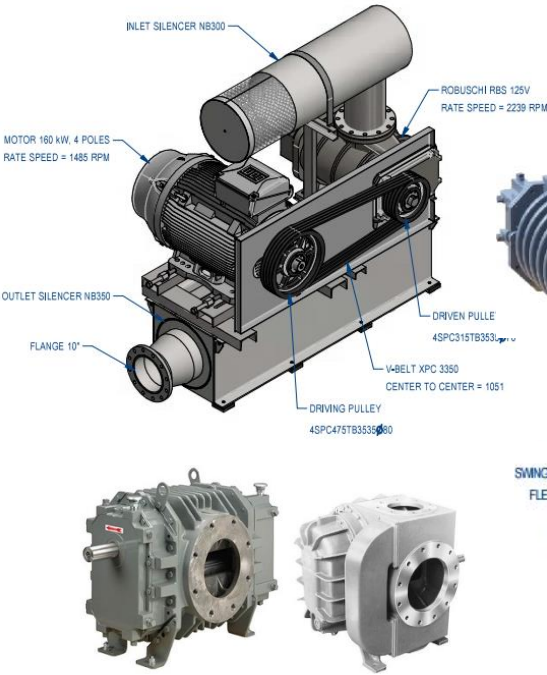
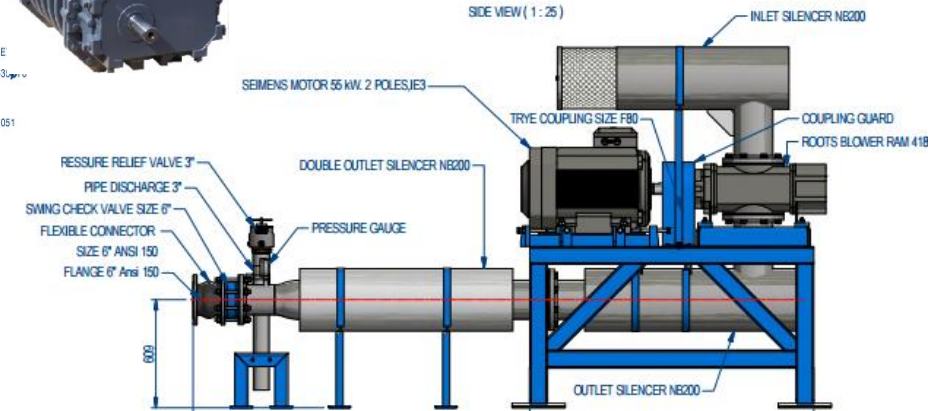


# THEREC CORPORATION LTD.

Air & Gas Blower Package for Pneumatic Conveying System

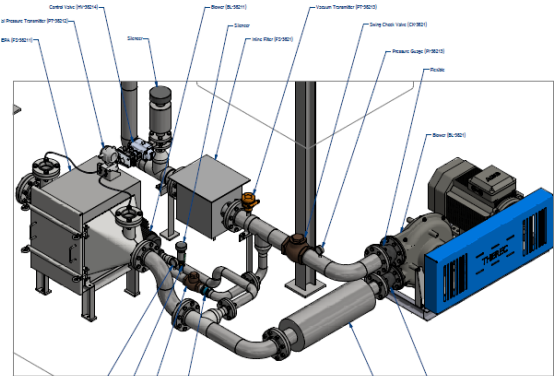
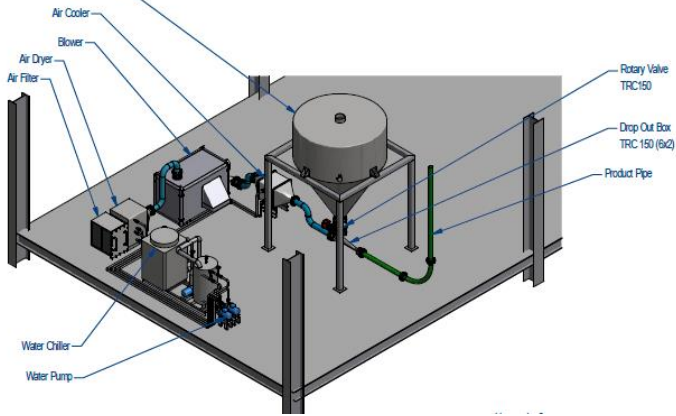


Installation, Service & Commissioning



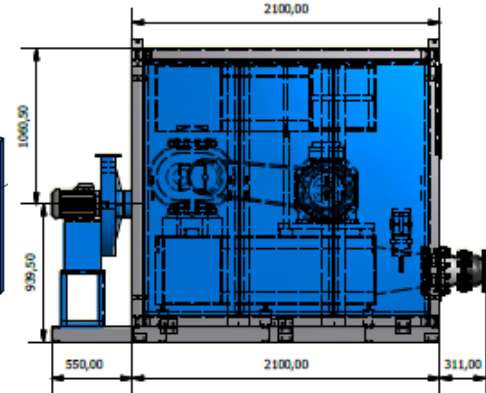
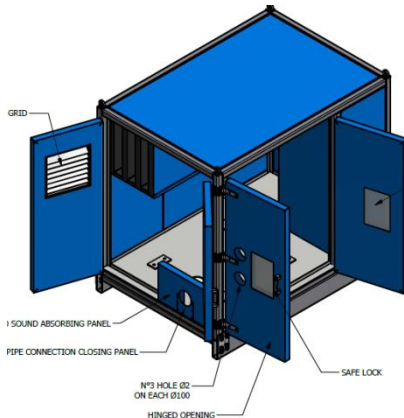
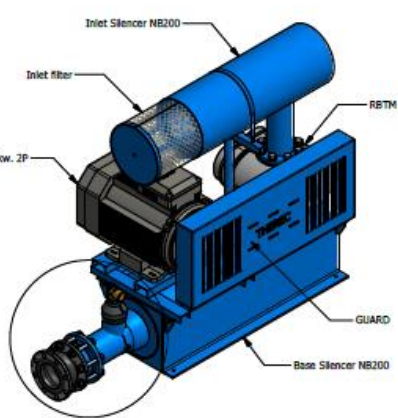
Pneumatic Conveying system package

Engineering System Package



Central Vacuum cleaning system package

Factory, R&D and Test Center

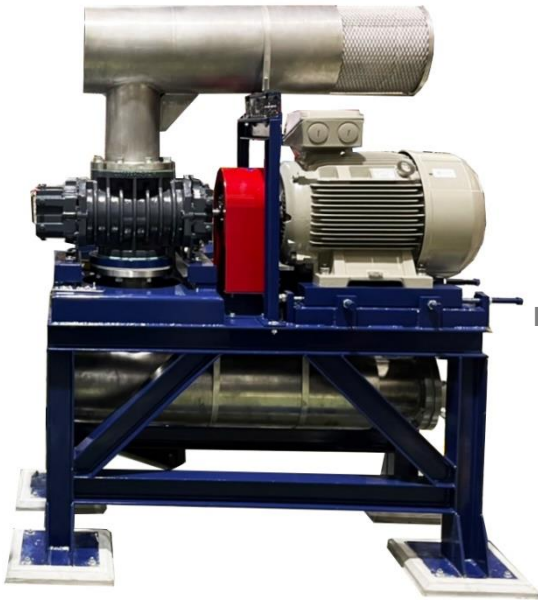


Standard Roots blower package for Waste water treatment

Industrial Blower Engineering Package



# Roots & Side channel (Ring) Blower Package With Food Grade Stainless Steel Silencer & Filter



PC Pellet conveying system / Covestro (Thailand)



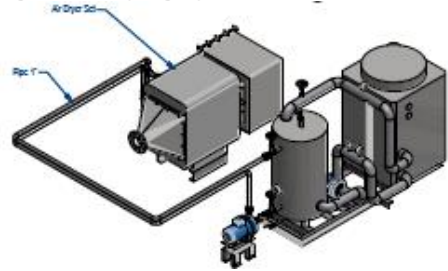
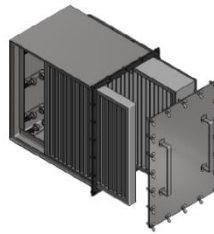
PVC conveying system / Bangkok Cable



PVC conveying system / Hymix

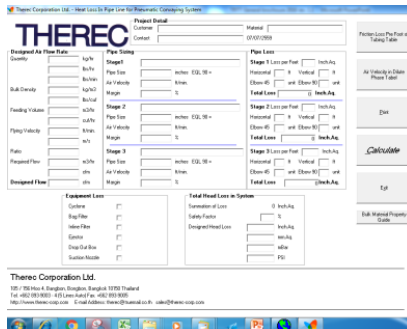
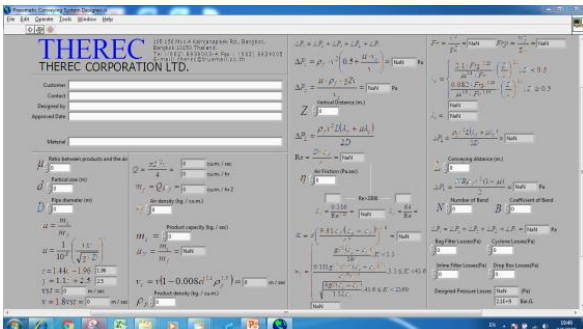


Sugar conveying system / Patkol (Public)



Air filter , Air Cooler or Air dryer and Control system  
Mitrphol Sugar (Khonkean)

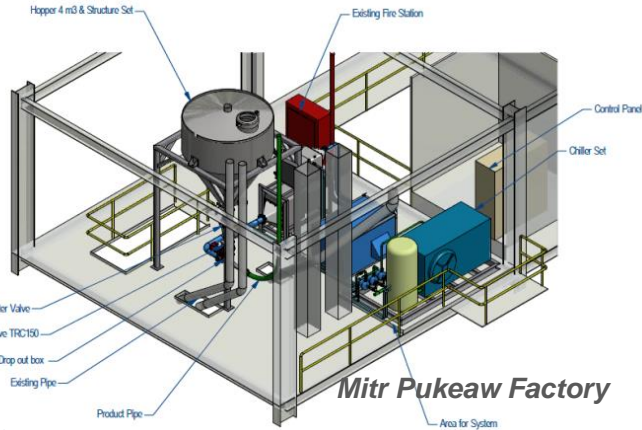
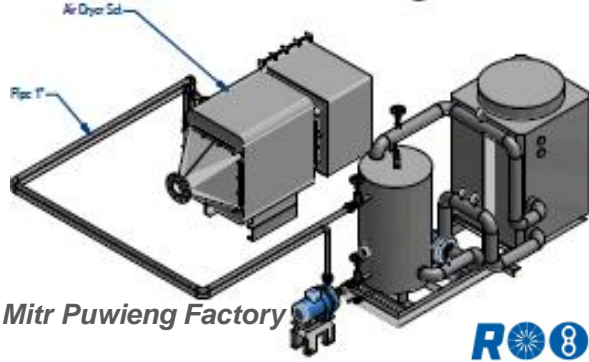
Engineering system design support Service for both Air and Gas  
Handling process /Loss ,Pressure, Flow and Etc.



The sizing program both from our principle oversea and in house development by THEREC



## Temperature & Moisture control system



Mitr Puwieng Factory



Mitr Pukeaw Factory

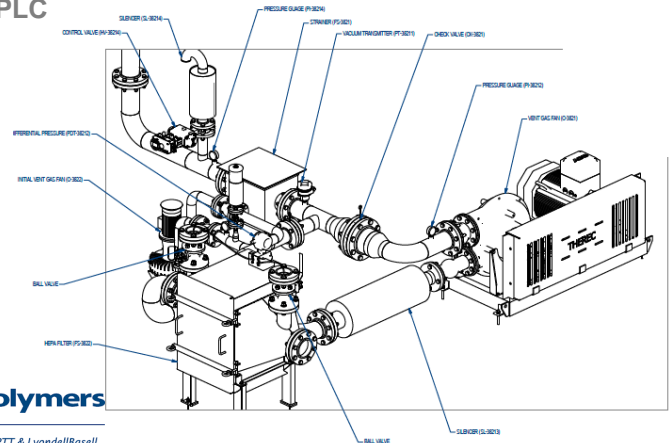
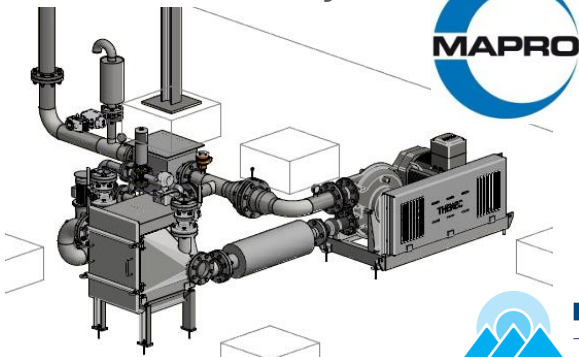
## Mitrphol Sugar Co., Ltd./ Sugar pneumatic conveying

Contacted conveying air moisture control to the level below 35% relative humidity to protect the sugar lump and stickiness from ambient moisture.

Contacted temperature to be under 38 degree C, to protect the internal moisture from flashing out and make the crystal to be dim.

SCADA control system with SIEMENS S7 300 series PLC

## Vacuum control system



## HMC Polymer Co., Ltd./ PTT Group of company, job in cooperation with CR Asia

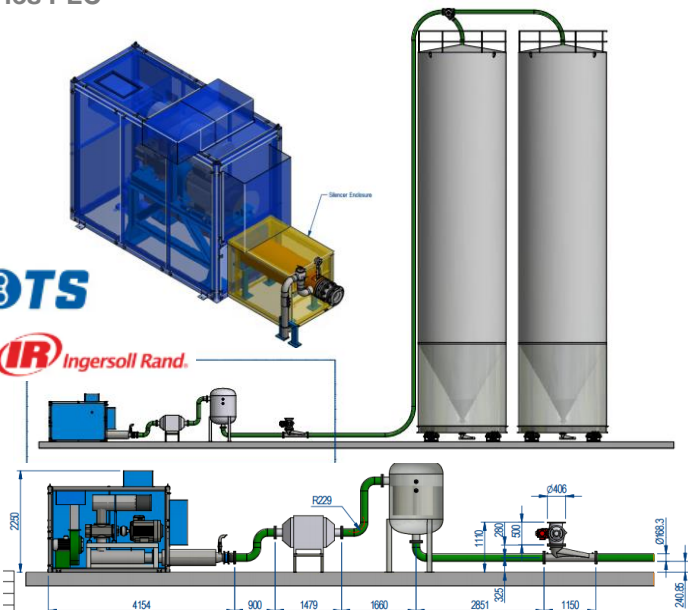
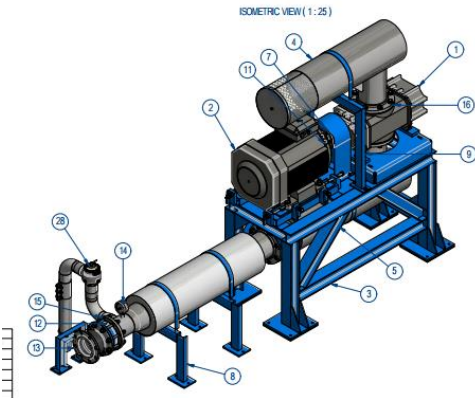
Vacuum control system for central vacuum cleaning system operation, operated by vacuum transmitter and pneumatic control valve to maintain the vacuum level of the system at -300 mBar and maintain the averaged suction air volume of each individual suction point at around 200 cfm of all working condition. Also the differential pressure switch for the filters.

SCADA control system with ALAN BRADLEY 500 series PLC

## Temperature control system

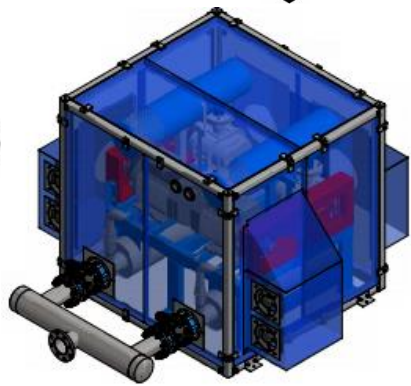
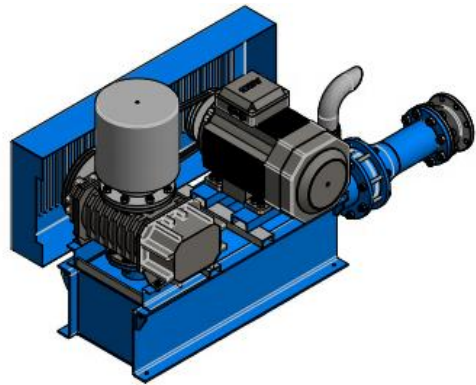
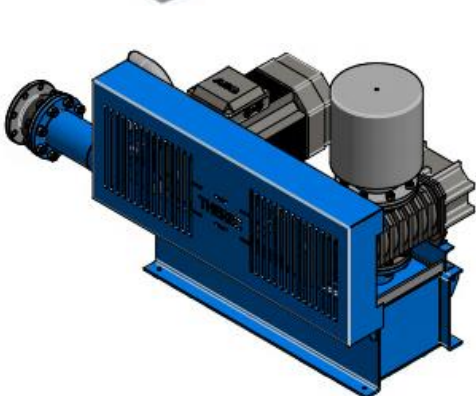
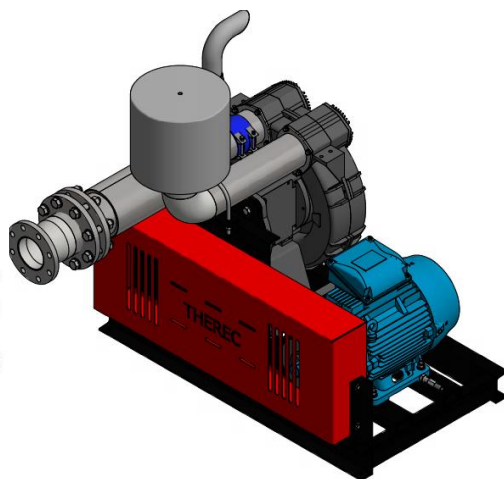
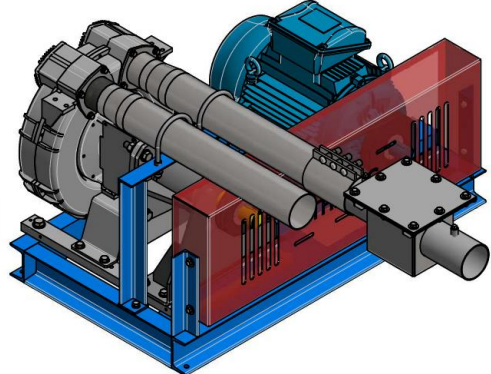
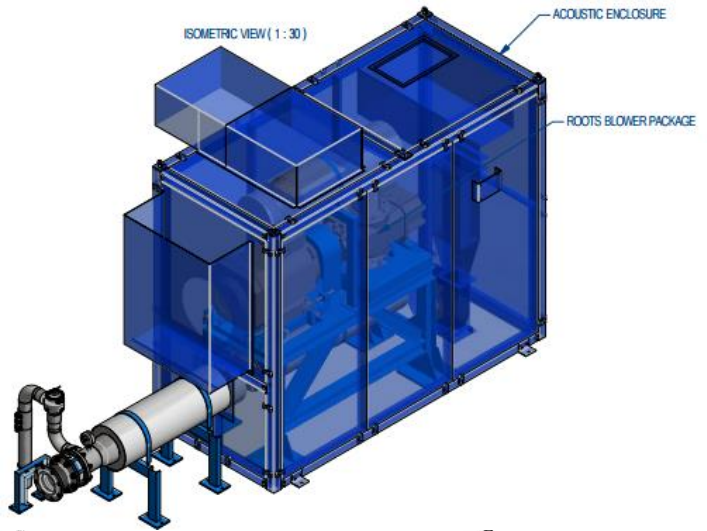
### Covestro (Thailand) Co., Ltd.

PC Pellet pneumatic conveying system, with Chilled water to air cooling unit to control the temperature to be under 25 degree C, with capacity of 12 tons/hour. Sound pressure level less than 75 dBA.





Atex Certified Blowers



ATEX EXPLOSIVE ATMOSPHERES

