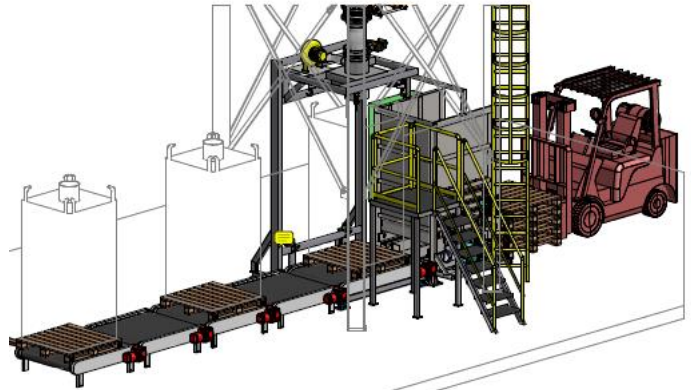
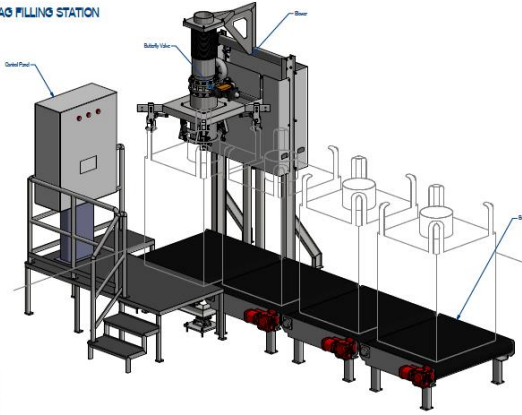
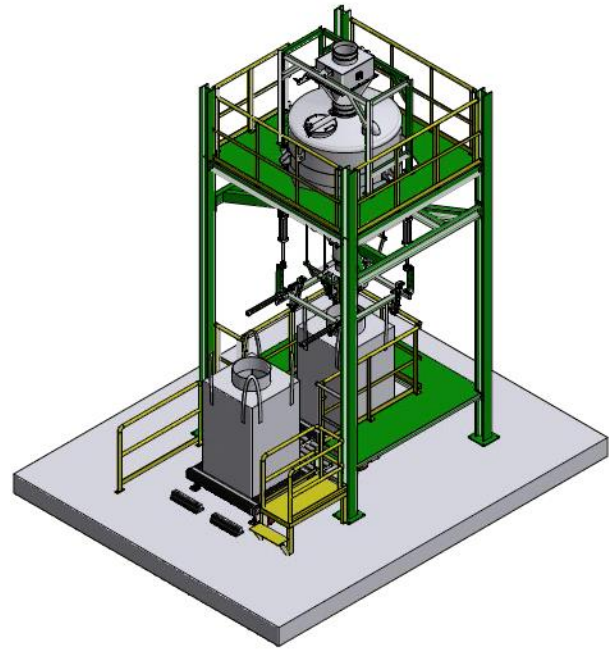
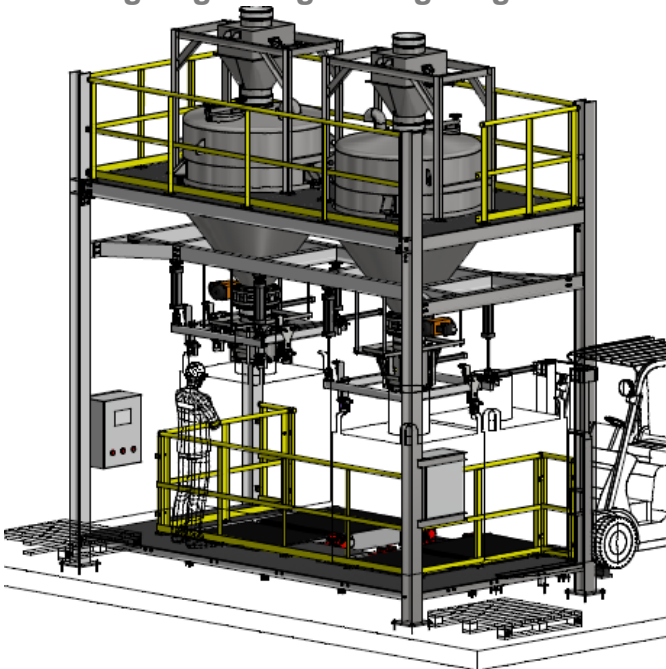


Bulk Material Bag Filling & Weighting Machine

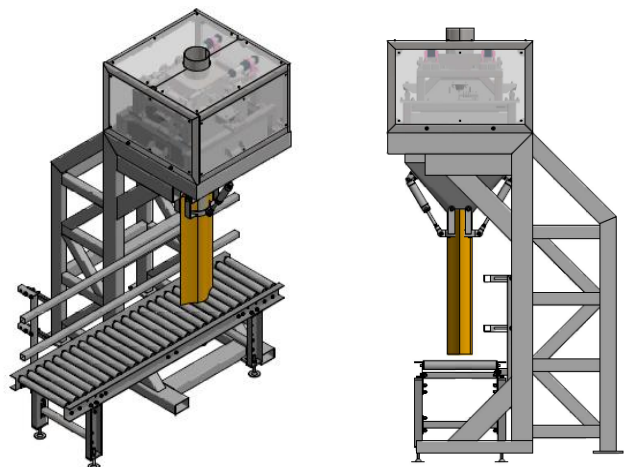
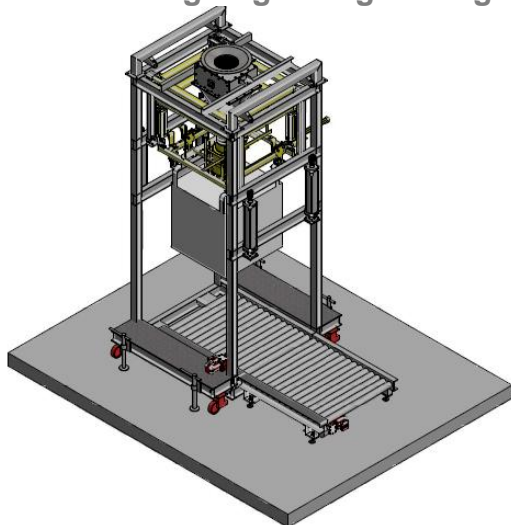
BAG FILLING STATION



Big Bag Filling & Weighting Station / Medium speed / Plate form Scale Type

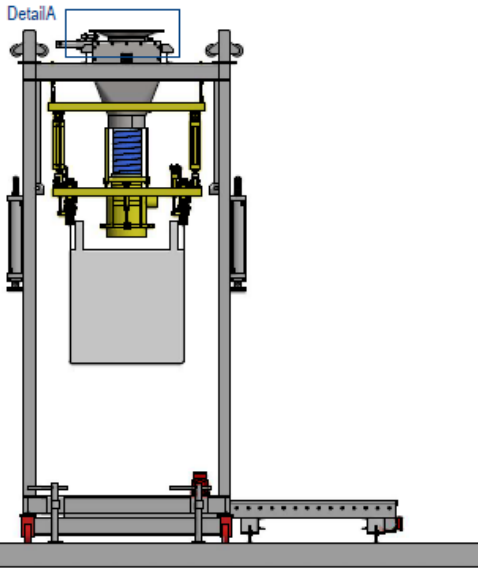


Big Bag Filling & Weighting Station / High Speed / Hopper Scale Type



Big Bag Filling & Weighting Station / High Speed / Bag Scale Type

Small Bag Filling & Weighting Station / Medium Speed / Hopper Scale Type



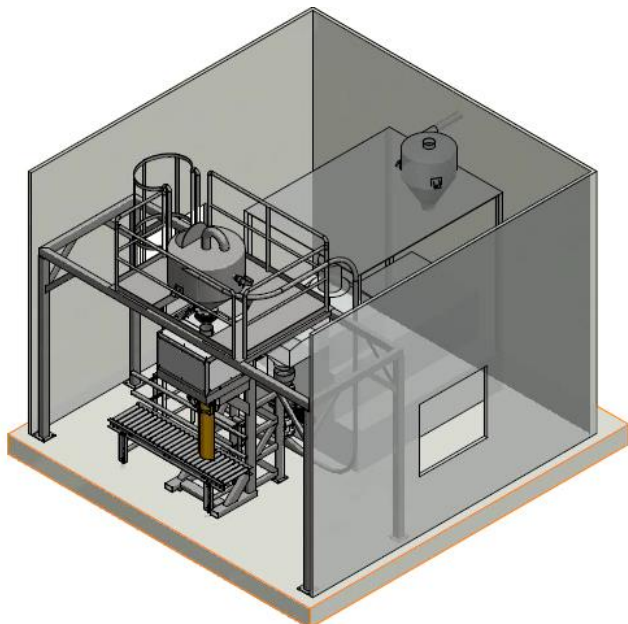
Big Bag Filling BBF-BW-B20

- Medium speed big bag machine 15 – 22 bags / hr
- Standard feature / Big bag automatic lifting by air piston, manual revolve hanging device with automatic hook
- Could adjust to be suited with multi sizes of Big bag
- Installed with big bag blowing fan, roller or belt conveyor
- Bag weighting scale
- Economical model to minimized the investment cost



Big Bag Filling BBF-HW-B40

- High speed big bag machine 20 to 45 bags / hr for single hopper machine and 40 to 90 bags/hr for twin hopper machine
- Weighting hopper and 2 step cut off vale for high precision weighting
- Standard feature / Big bag automatic lifting by air piston , Automatic sliding hanging device with automatic hook for operation safety
- Installed with big bag blowing fan, roller or belt conveyor
- Weighting hopper scale and double check weight station

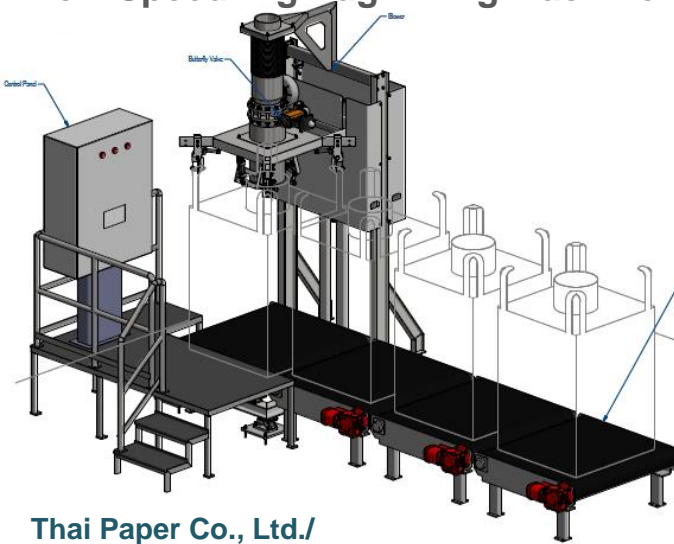


Small Bag Filling SBF-HW-B100

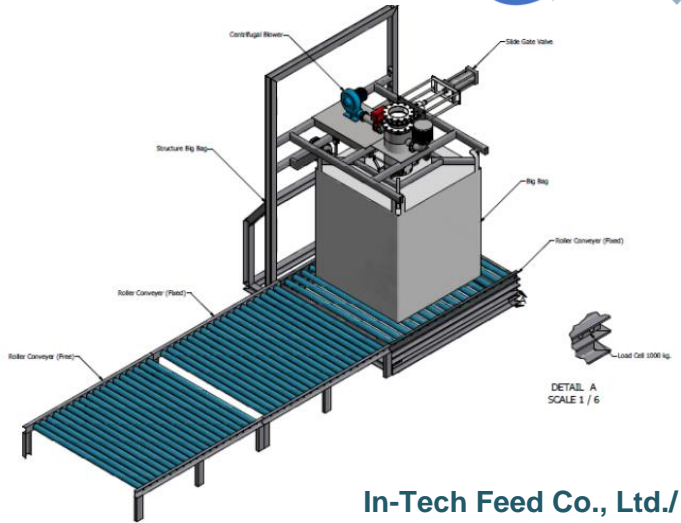
- High speed small bag machine 60 to 120 bags / hr
- Weighting hopper and 2 step cut off vale for high precision weighting
- Standard feature / Automatic Spout Locking by air piston ,
- Installed with roller or belt conveyor ,
- Weighting hopper scale

Big bag Filling & Weighting Systems

Low Speed Big Bag Filling Machine

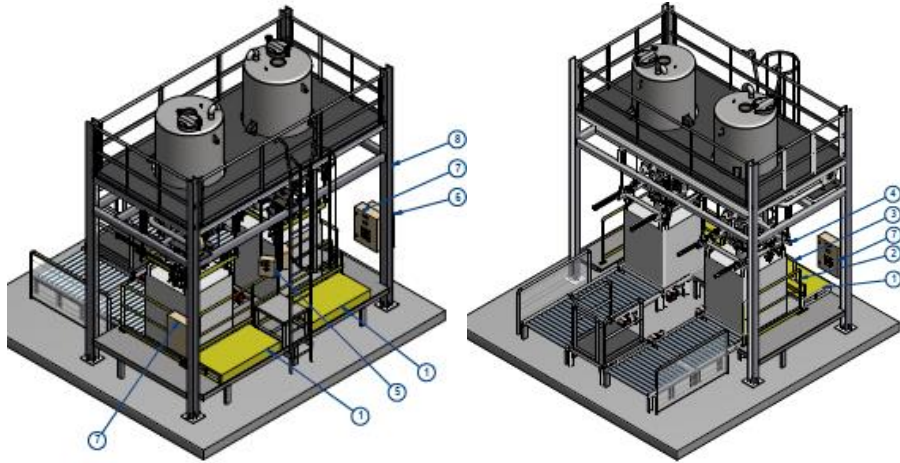


Thai Paper Co., Ltd./
 SCG Paper Group Recycle Paper Pulp Big bag Filling station Low speed machine, 16 bags/ hr, 360 kg/bag With Automatic weighting & feeding system

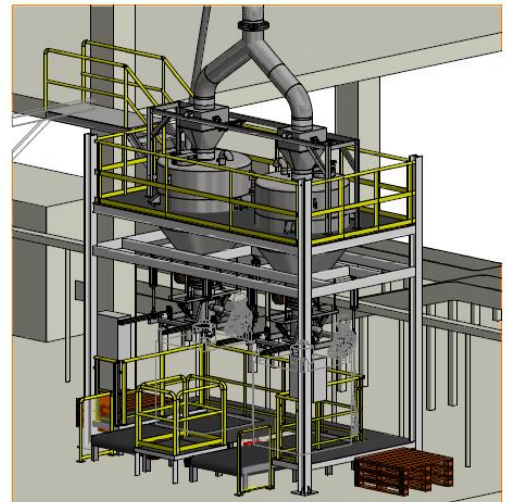
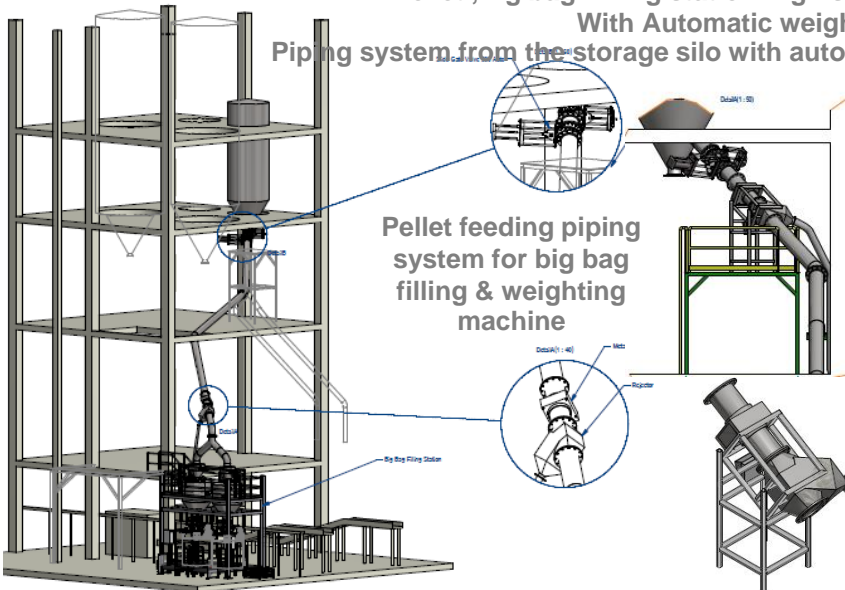
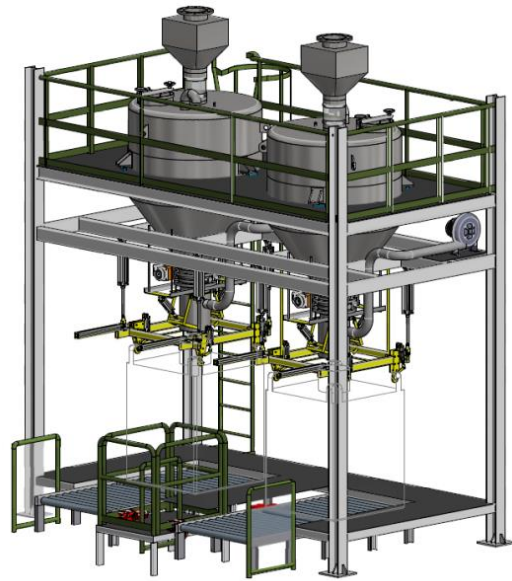


In-Tech Feed Co., Ltd./
 Feed mill raw material ,Big bag Filling station Low speed machine, 10 bags/ hr, 1200 kg/bag With Automatic weighting & feeding system

High Speed Big Bag Filling Machine



Thai Polyethylene(Public) Co., Ltd./SCG Chemical group
 LHDPE Pellet ,Big bag Filling station High speed machine,60 to 90 bags/ hr, 735 kg/bag With Automatic weighting system and check weight load cell set Piping system from the storage silo with automatic shut off valve and metal detector set



**In-Tech Feed Co., Ltd./
Feed Mill Raw material**



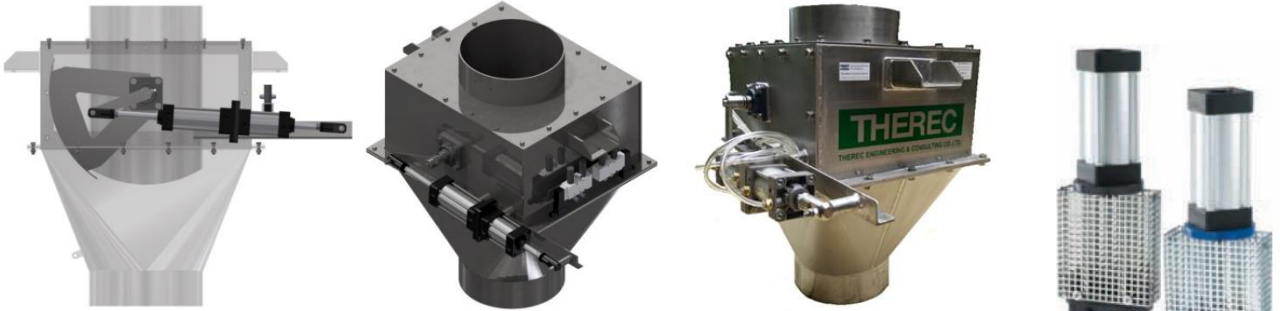
Thai Paper Co., Ltd./ Recycle Paper Pulp

Thai Polyethylene(Public) Co., Ltd./ LDPE Pellet



Bulk Material Feeding and Weighting Component

Bulk Material Feeding & Weighting Component



Automatic Cut Off Valve for High Speed Precision Weighting System

Slide gate valve



Automatic Dosing Valve for Lower Speed Precision Weighting System

Vibro-fluidizer

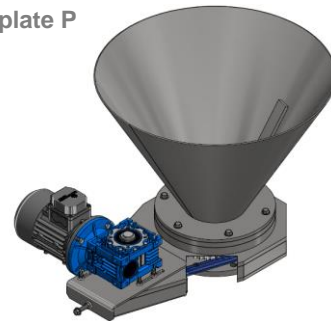
Fluidification plate P



Hanging Type Loadcell assembly
For Bag Scale Bulk Bag Filling Machine



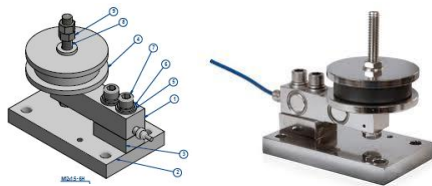
All the Feeding assistant component to warrantee the smooth filling and constant bulk density of the powder material



Anti- Vibration Bending Beam Loadcell assembly
For Small Hopper Scale Bag Filling Machine



Well Polished , Steep Angle Weighting hopper , with all the bulk material gravity flow assistant component



Anti- Vibration Shear Beam Loadcell assembly
For Big Hopper Scale Bulk Bag Filling Machine



Low profile mounting
Loadcell Assembly



Install and Removal
without lifting tool



Silo mount ,Atex &
IECEx Certification



Smart Digital
Display



Junction box



Therec Engineering & Consulting Co, Ltd. www.thereceng.com

Tel (662) 893 9003-4 (5 lines)

Fax : (662) 893 9005 ,893 9178

88 Soi Karnjanapisek 4/2 Karnjanapisek Rd. Bangbon Bangkok 10150
Thailand

General product Therec 01 / 2016

