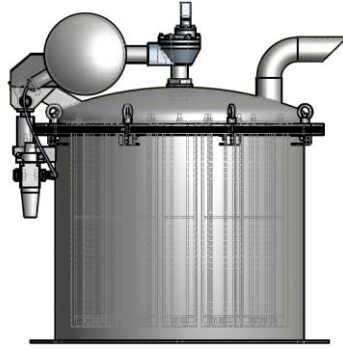
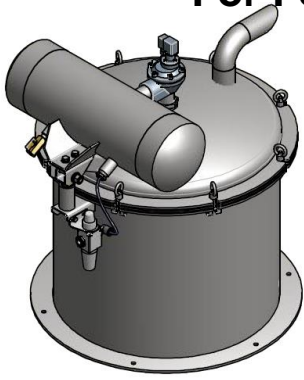
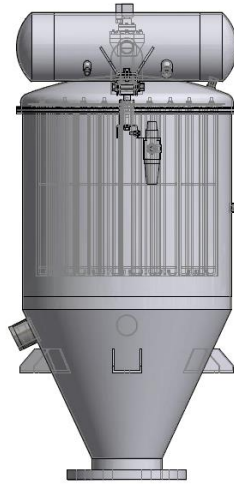
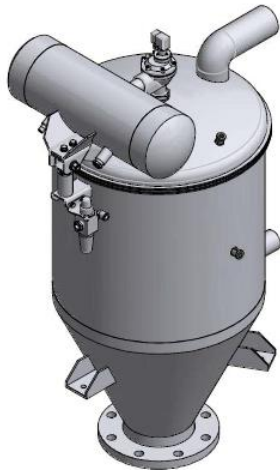
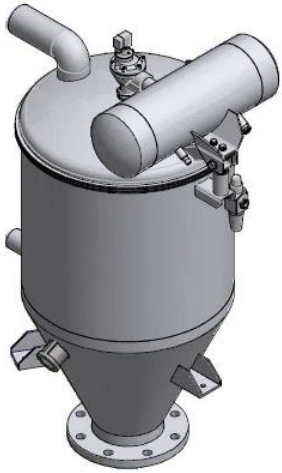


THEREC ENGINEERING & CONSULTING CO., LTD.

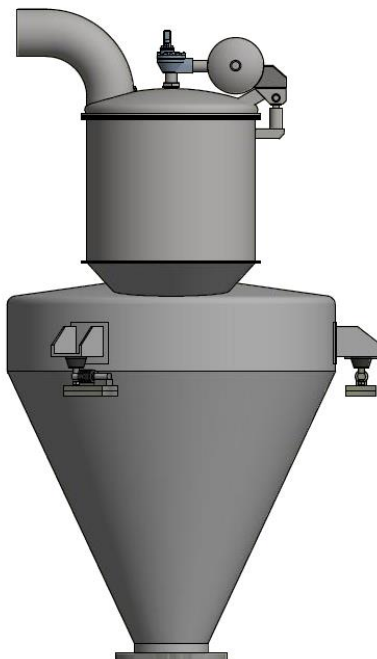
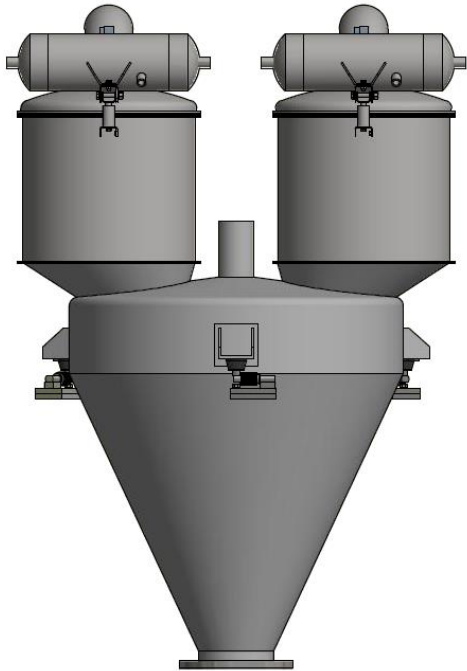
High Pressure & Deep Vacuum / Silo & Hopper Vent Bag Filter
For Food, Petro Chemical & Plastic Industries



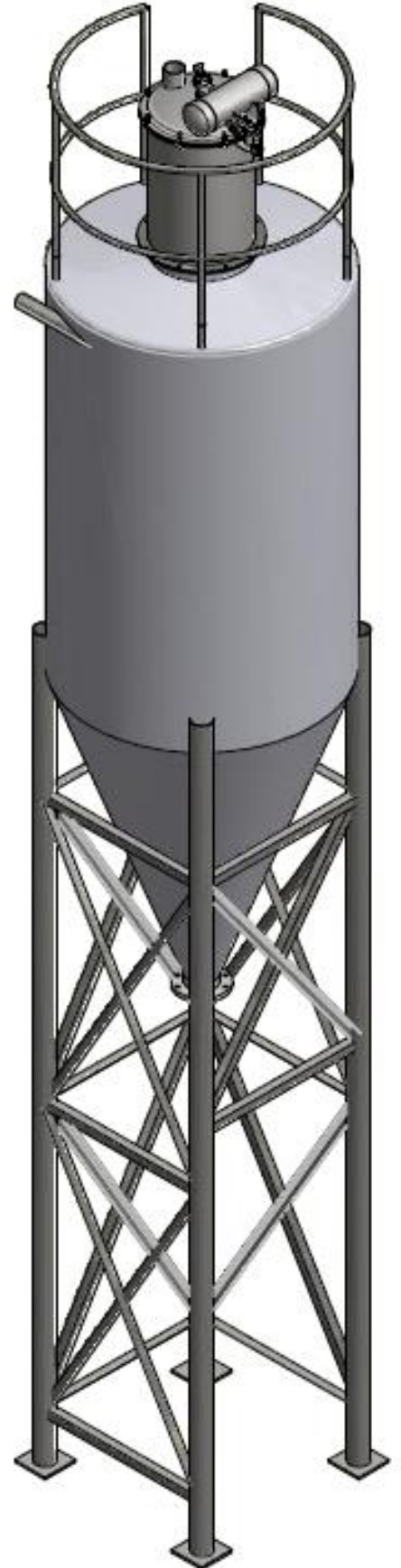
Compact Bag Vent Filter



Compact Bag Receiver



2 Compact Vent Bag Filters on A Receiver

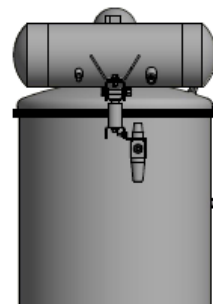
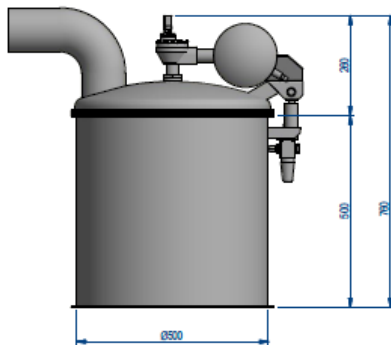


* Vacuum Level Designed, Down to -700 mBar

Standard (Food Grade, Easy Clean) Cylindrical Housing Bag filter



TRC 70.18.500.450 BF



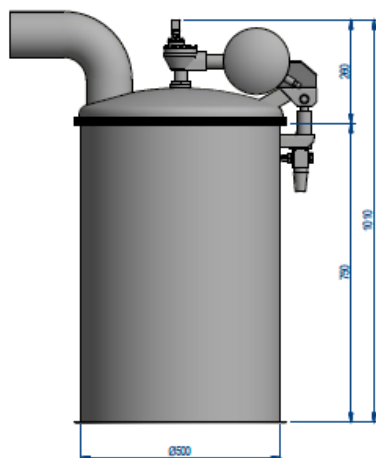
Max Operated
Diff. Pressure
+1.0 / -0.7 BarG

Filter Bag : Dia 70 mm. x L 450 mm. x 18 Pcs.

Cloth Area : 1.78 m² / Jet Pulse : Port 1"



TRC 70.18.500.700 BF



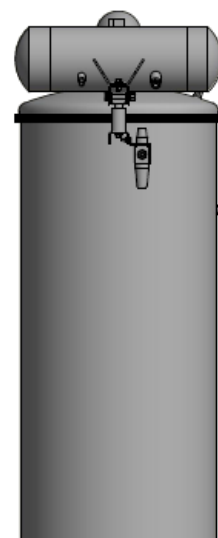
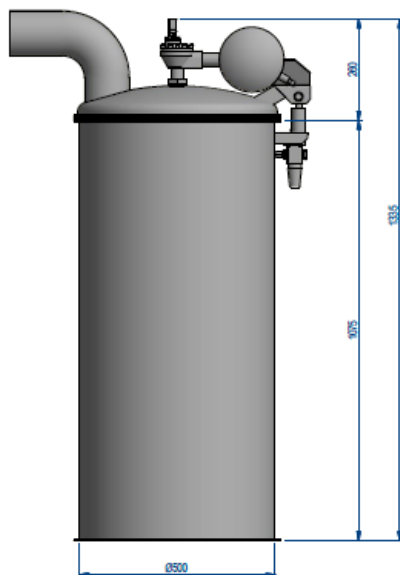
Max Operated
Diff. Pressure
+1.0 / -0.7 BarG

Filter Bag : Dia 70 mm. x L 700 mm. x 18 Pcs.

Cloth Area : 2.83 m² / Jet Pulse : Port 1 1/4"



TRC 70.18.500.1000 BF



Max Operated
Diff. Pressure
+1.0 / -0.65 BarG

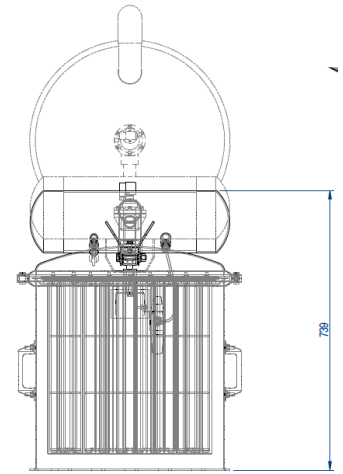
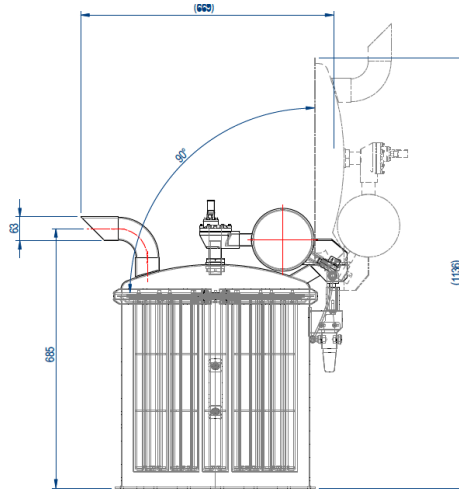
Filter Bag : Dia 70 mm. x L 1000 mm. x 18 Pcs.

Cloth Area : 4.02 m² / Jet Pulse : Port 1" (x 2)

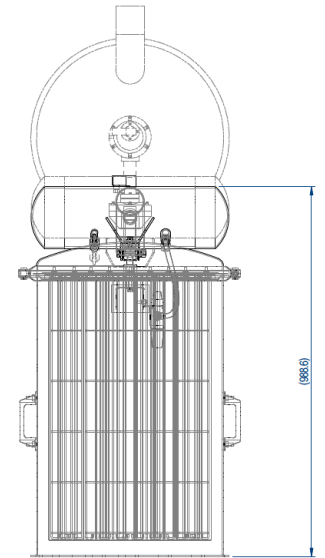
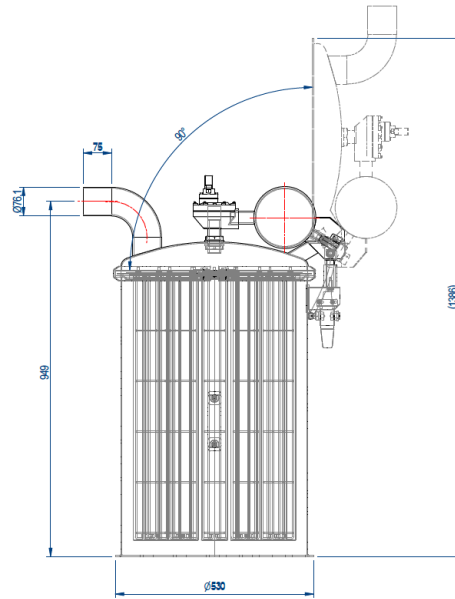
Standard (Food Grade) Cylindrical Housing Bag filter



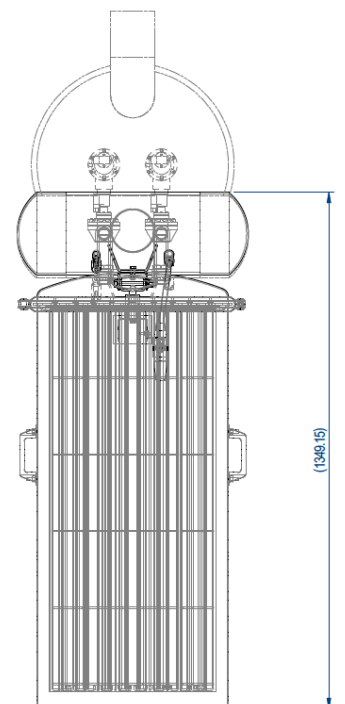
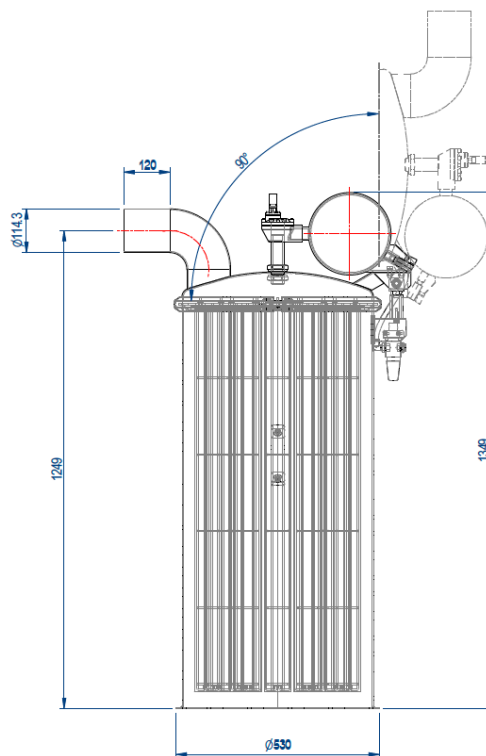
TRC 70.18.500.450 BF



TRC 70.18.500.700 BF



TRC 70.18.500.1000 BF



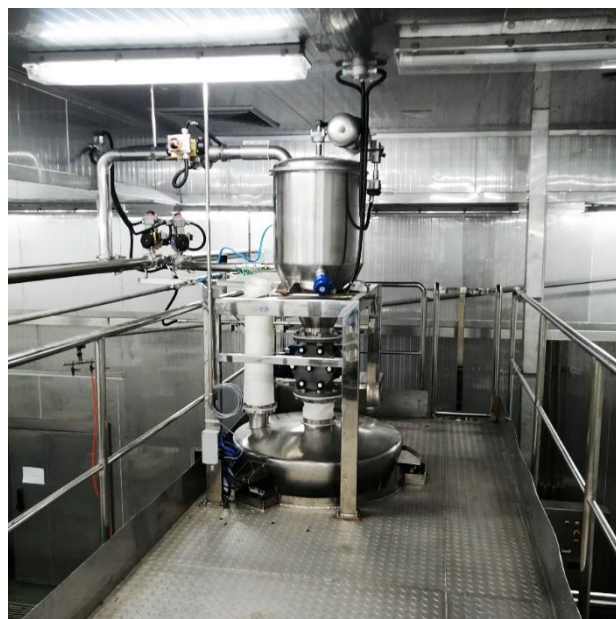
Standard (Food Grade, Easy Clean) Cylindrical Housing Bag filter



TRC 450 / 700 /1000 Compact BF Various Types & Positions of Arrangement

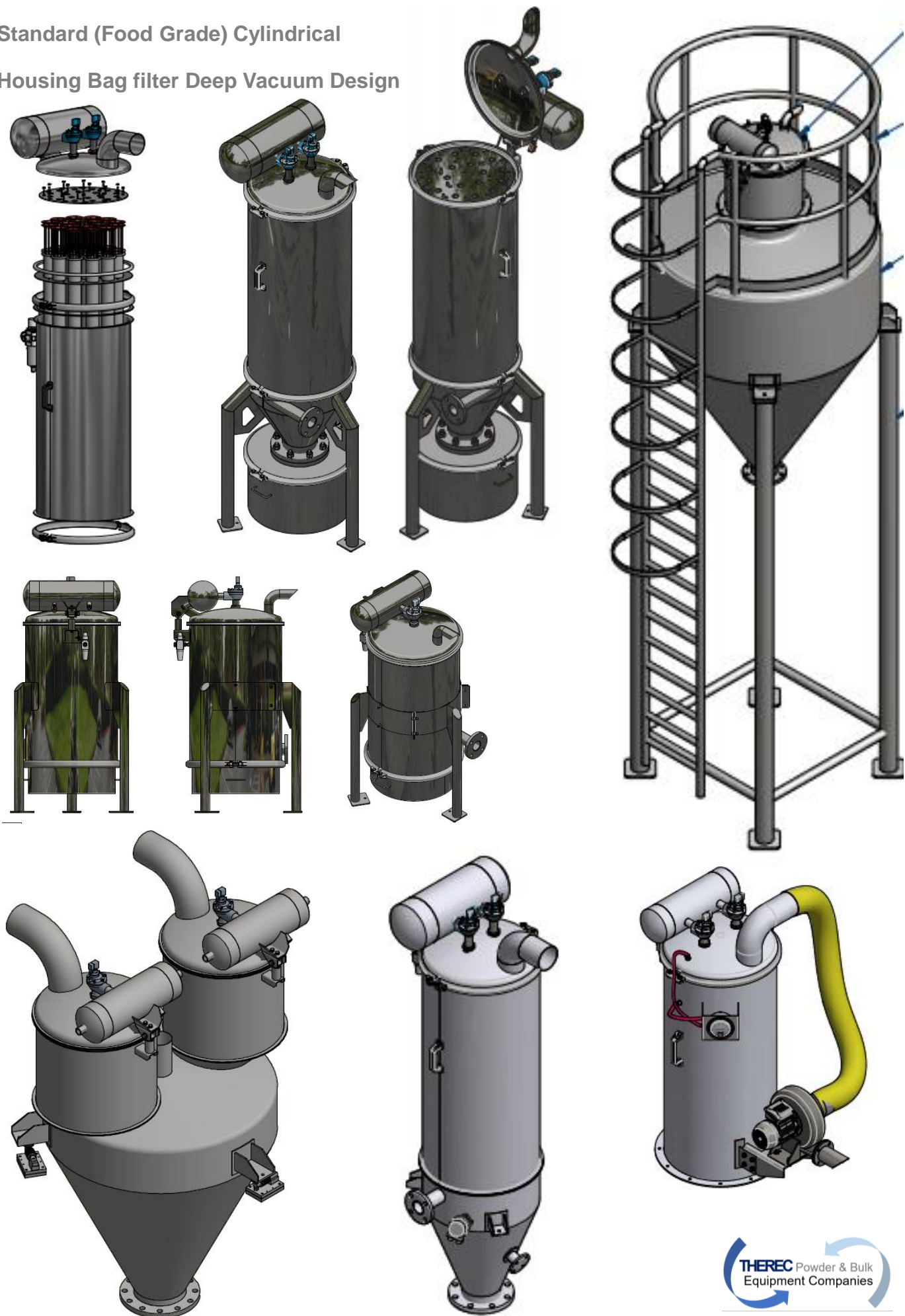


TRC 70.18.500.1000 Compact BF
Wheat Flour Silo Vent Application



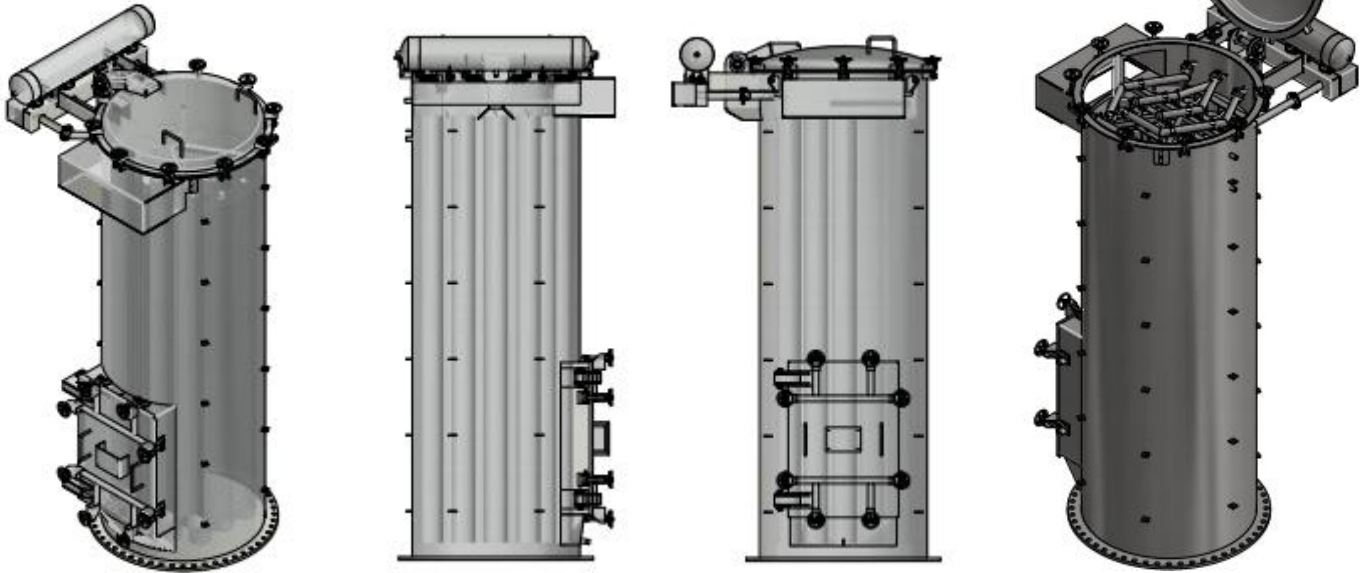
TRC 70.18.500.700 Compact BF
3 in 1 Coffee Receiver Filling Machine
Application

Standard (Food Grade) Cylindrical
Housing Bag filter Deep Vacuum Design

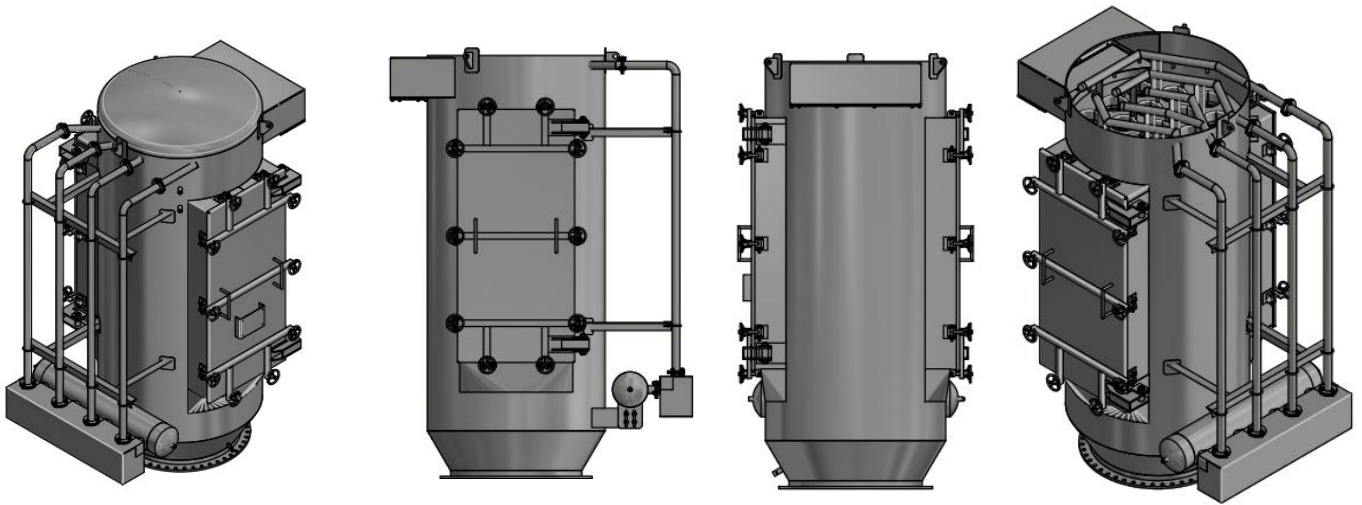


Standard (Petro Chemical & Plastic) Cylindrical Housing Bag filter

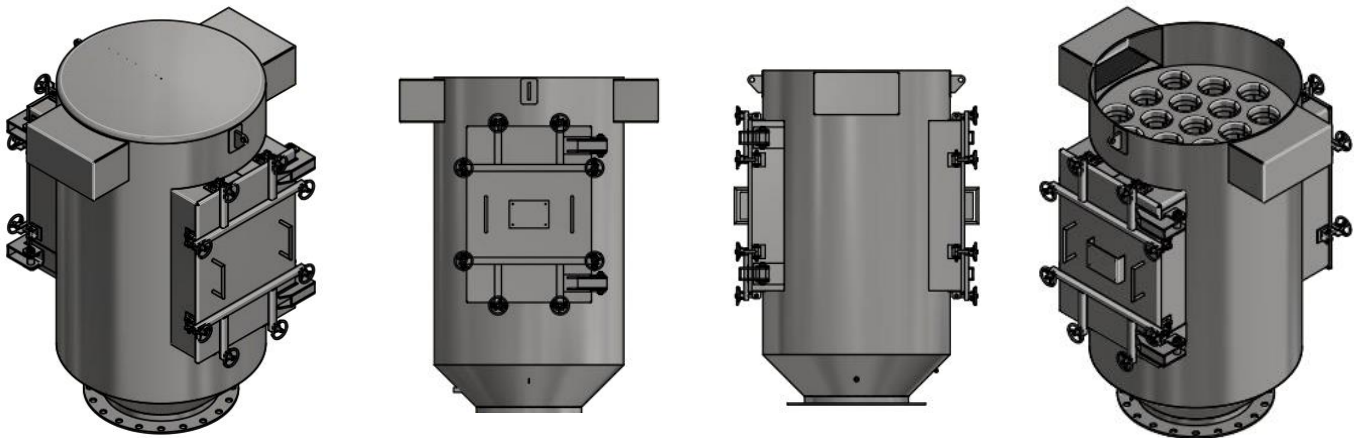
TRC 160.19.1100.XXXX BF / Type A, B & C



TRC 160.19.1100.XXXX BF / Type A / Top Opening Cover with Multi-Direction Swing Arm
With Half Size, Side Wall Inspection Door, Automatic Jet Pulse Air Cleaning



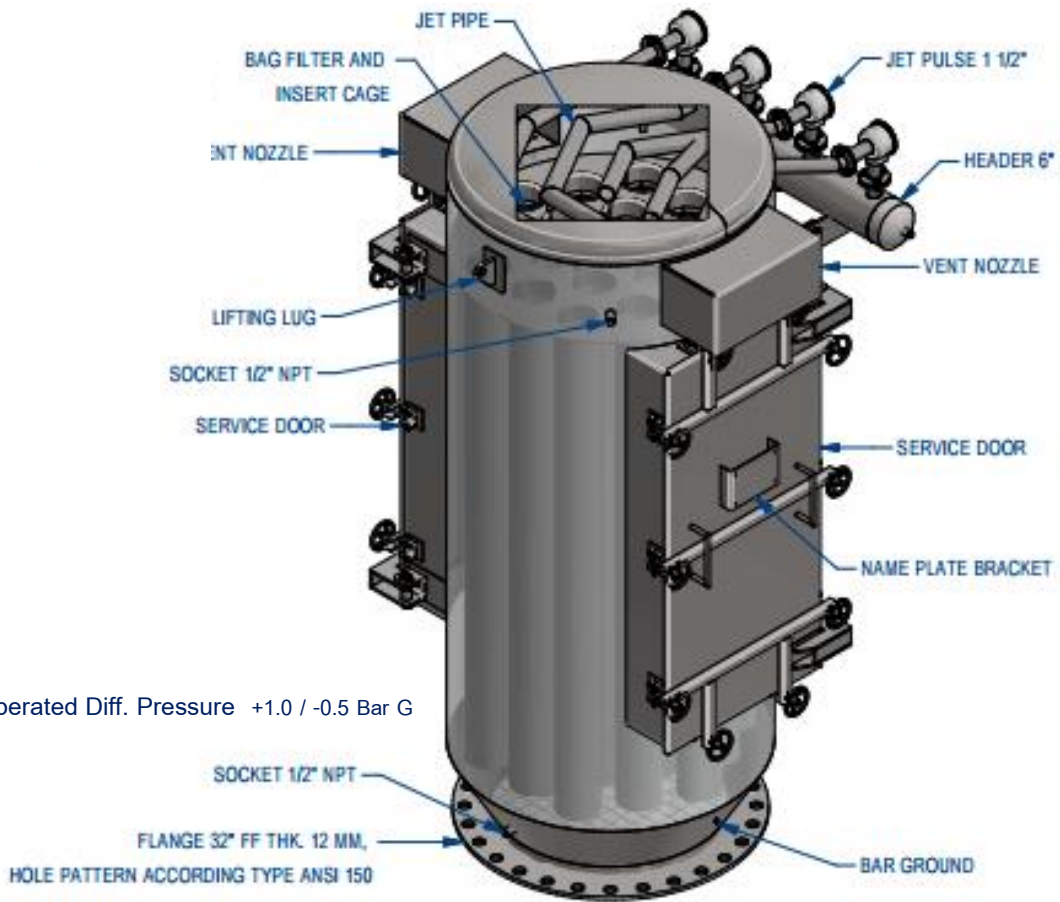
TRC 160.19.1100.XXXX BF / Type B / Totally Closed Top Cover
With Full Size, Side Wall Inspection Door, Automatic Jet Pulse Air Cleaning



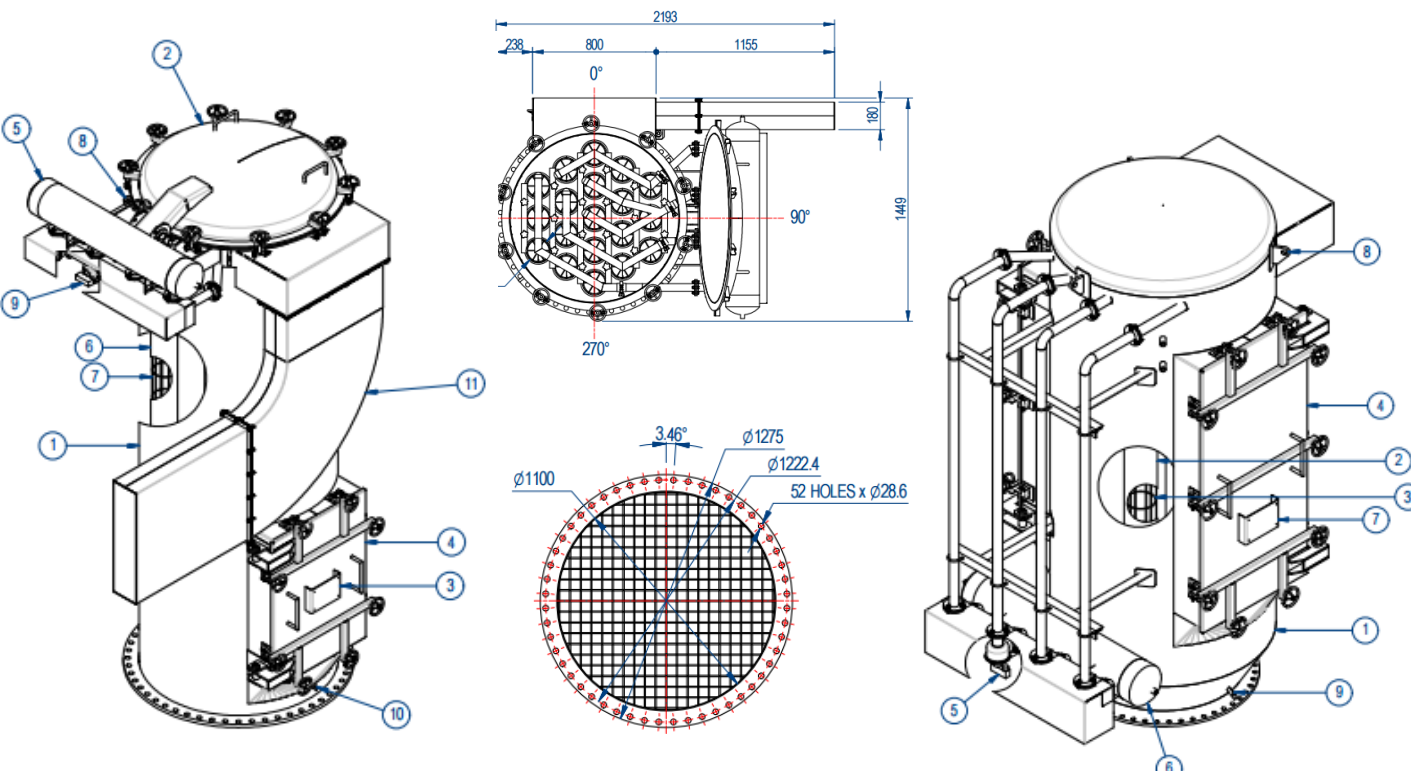
TRC 160.19.1100.XXXX BF / Type C / Totally Closed Top Cover
With Full Size, Side Wall Inspection Door, Manual Cleaning

Industrial Grade Silo Vent Bag Filter & Receiver

High Air Volume Silo Vent Bag filter with Side opening and Top Opening
Side Changing of Filter Bag with Automatic Jet Pulse Air Cleaning



Max Operated Diff. Pressure +1.0 / -0.5 Bar G



Filter Bag : Dia 160 mm. x L 1,000-2,800 mm. x 19 Pcs.
Cloth Area : 10.0 to 27.0 m² / Jet Pulse : Port 1.5"

SILO VENT FILTER C
000398-TM-IG0805-TRE24020-004-C-00-01

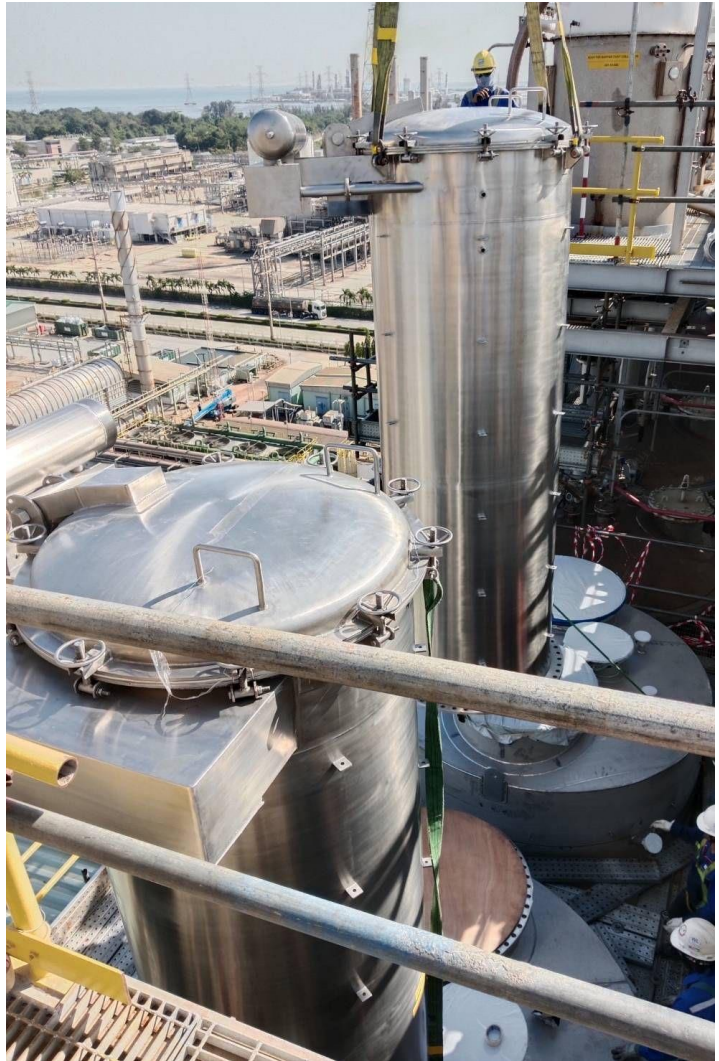
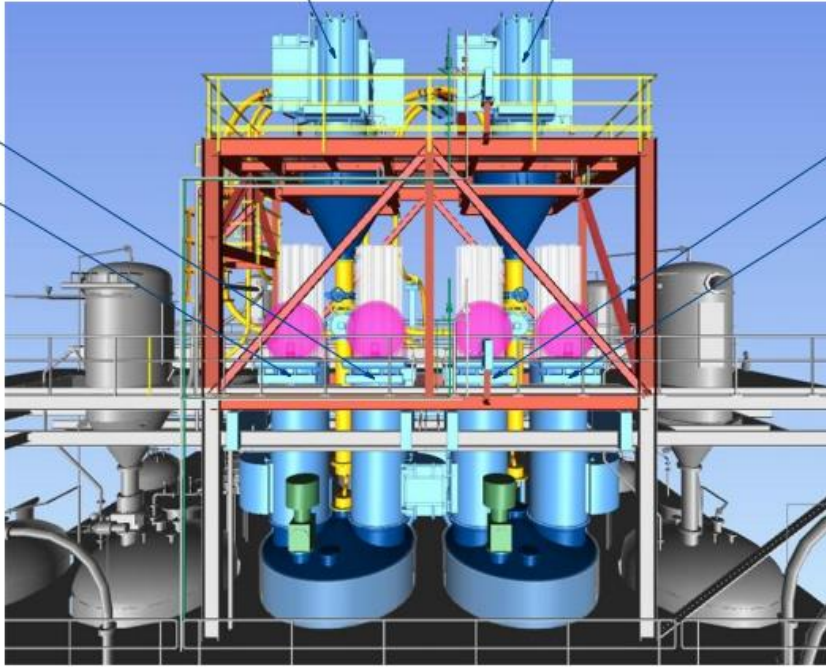
SILO VENT FILTER C
000398-TM-IG0805-TRE24020-004-C-00-01

SILO VENT FILTER B
000398-TM-IG0805-TRE24020-004-B-00-01

SILO VENT FILTER A
000398-TM-IG0805-TRE24020-004-A-00-01

SILO VENT FILTER A
000398-TM-IG0805-TRE24020-004-A-00-01

SILO VENT FILTER B
000398-TM-IG0805-TRE24020-004-B-00-01



TRC 160.19.1100.2800 DV BF / Polycarbonate Silo Vent Application

Valve and Controller For Dust Collecting System



Diaphragm Valve With Female Tread, Integral Type and Remote Type



Remote Solenoid Enclosure



Programmable Sequential Controller



Dust Explosion Venting Equipment

VIGILEX® Ex CE



Bursting panel



Flame Arrestor



Bursting sensor

VIGI-FLAP



Level Sensors



Air Vibrator

Explosion Protection Non-Return Valve

FLAP POSITIONS

FLOW PROCESS

2 FLAP position during flow process:

Flap stay open by process flow.



Flap is locked open



EXPLOSION EVENT

Flap is closed by explosion and stay locked manual unlocking

