

THEREC ENGINEERING & CONSULTING CO.,LTD.

THEREC PROCESSING MACHINE CO.,LTD

Bulk Material Weighting & Monitoring System / Equipment & Machine



Pneumatic Conveying Systems & Plasticizer
By THEREC ENGINEERING & CONSULTING

12/31/2000 10:59:39 AM

LOAD PVC RESIN
START STOP

LOAD DOA 01
START STOP

LOAD DOA 02
START STOP

MANUAL ALARM RAW MATERIAL

ALARM DISPLAY

TRANSFER PRODUCT BY PINK PRODUCT

START ENABLE COMPLETE

WEIGHT START WGT 13.3 WEIGHT REL. LOG 0.0

RECIPE WEIGHT START WGT 13.3

COMPLETE

OVERVIEW RECIPE REPORT ALARM HIST. User: dsl User: admin@therec.com

Pneumatic Conveying Systems & Plasticizer
By THEREC ENGINEERING & CONSULTING

12/31/2000 10:59:39 AM

MANUAL ALARM RAW MATERIAL

IN PROGRESS RECIPE

ALL RECIPES DELETE RECIPES

SELECT RECIPES DIFF RECIPES

CODE	1113683-5	BATCH NO	121212	Quantity (Kg)	400
INCL	INCL 1	INCL 2	INCL 3	INCL 4	INCL 5
Batch	Batch	Batch	Batch	Batch	Batch
SP (%)	SP (%)	SP (%)	SP (%)	SP (%)	SP (%)
SP (%)	SP (%)	SP (%)	SP (%)	SP (%)	SP (%)

Overview RECIPE REPORT ALARM HIST. User: dsl User: admin@therec.com

Wordware | InTouch

12/9/2020 9:52:21 PM

HD Template Application

EDIT RECIPE

Grade	Process	Name	Speed	Set Point	Process	Name	Speed	Set Point
1030	Step 1		0.000	0.000	Step 16		0.000	0.000
1030	Step 2		0.000	0.000	Step 17		0.000	0.000
1030	Step 3		0.000	0.000	Step 18		0.000	0.000
	Step 4		0.000	0.000	Step 19		0.000	0.000
	Step 5		0.000	0.000	Step 20		0.000	0.000
	Step 6		0.000	0.000	Step 21		0.000	0.000
	Step 7		0.000	0.000	Step 22		0.000	0.000
	Step 8		0.000	0.000	Step 23		0.000	0.000
	Step 9		0.000	0.000	Step 24		0.000	0.000
	Step 10		0.000	0.000	Step 25		0.000	0.000
	Step 11		0.000	0.000				
	Step 12		0.000	0.000				
	Step 13		0.000	0.000				
	Step 14		0.000	0.000				
	Step 15		0.000	0.000				

SAVE

Time	Priority	State	Node	Group	Tagname	Description	Type	Limit	CurrentValue	AlarmDuration	Operator	UMaskDuration	Class	Provider
------	----------	-------	------	-------	---------	-------------	------	-------	--------------	---------------	----------	---------------	-------	----------

SEARCH BY DATE

SEARCH BY CODE

SEARCH BY BATCH

FROM: Saturday, July 4, 2020 TO: Saturday, July 4, 2020 CODE: BATCH:

DATE	TIME	OPERATOR	CODE	BATCH	QUANTITY	STATUS	REMARKS
2020/07/04	08:00	admin	1113683-5	121212	400	COMPLETE	
2020/07/04	08:05	admin	1113683-5	121212	400	COMPLETE	
2020/07/04	08:10	admin	1113683-5	121212	400	COMPLETE	
2020/07/04	08:15	admin	1113683-5	121212	400	COMPLETE	
2020/07/04	08:20	admin	1113683-5	121212	400	COMPLETE	
2020/07/04	08:25	admin	1113683-5	121212	400	COMPLETE	
2020/07/04	08:30	admin	1113683-5	121212	400	COMPLETE	
2020/07/04	08:35	admin	1113683-5	121212	400	COMPLETE	
2020/07/04	08:40	admin	1113683-5	121212	400	COMPLETE	
2020/07/04	08:45	admin	1113683-5	121212	400	COMPLETE	
2020/07/04	08:50	admin	1113683-5	121212	400	COMPLETE	
2020/07/04	08:55	admin	1113683-5	121212	400	COMPLETE	
2020/07/04	09:00	admin	1113683-5	121212	400	COMPLETE	
2020/07/04	09:05	admin	1113683-5	121212	400	COMPLETE	
2020/07/04	09:10	admin	1113683-5	121212	400	COMPLETE	
2020/07/04	09:15	admin	1113683-5	121212	400	COMPLETE	
2020/07/04	09:20	admin	1113683-5	121212	400	COMPLETE	
2020/07/04	09:25	admin	1113683-5	121212	400	COMPLETE	
2020/07/04	09:30	admin	1113683-5	121212	400	COMPLETE	
2020/07/04	09:35	admin	1113683-5	121212	400	COMPLETE	
2020/07/04	09:40	admin	1113683-5	121212	400	COMPLETE	
2020/07/04	09:45	admin	1113683-5	121212	400	COMPLETE	
2020/07/04	09:50	admin	1113683-5	121212	400	COMPLETE	
2020/07/04	09:55	admin	1113683-5	121212	400	COMPLETE	
2020/07/04	10:00	admin	1113683-5	121212	400	COMPLETE	
2020/07/04	10:05	admin	1113683-5	121212	400	COMPLETE	
2020/07/04	10:10	admin	1113683-5	121212	400	COMPLETE	
2020/07/04	10:15	admin	1113683-5	121212	400	COMPLETE	
2020/07/04	10:20	admin	1113683-5	121212	400	COMPLETE	
2020/07/04	10:25	admin	1113683-5	121212	400	COMPLETE	
2020/07/04	10:30	admin	1113683-5	121212	400	COMPLETE	
2020/07/04	10:35	admin	1113683-5	121212	400	COMPLETE	
2020/07/04	10:40	admin	1113683-5	121212	400	COMPLETE	
2020/07/04	10:45	admin	1113683-5	121212	400	COMPLETE	
2020/07/04	10:50	admin	1113683-5	121212	400	COMPLETE	
2020/07/04	10:55	admin	1113683-5	121212	400	COMPLETE	
2020/07/04	11:00	admin	1113683-5	121212	400	COMPLETE	
2020/07/04	11:05	admin	1113683-5	121212	400	COMPLETE	
2020/07/04	11:10	admin	1113683-5	121212	400	COMPLETE	
2020/07/04	11:15	admin	1113683-5	121212	400	COMPLETE	
2020/07/04	11:20	admin	1113683-5	121212	400	COMPLETE	
2020/07/04	11:25	admin	1113683-5	121212	400	COMPLETE	
2020/07/04	11:30	admin	1113683-5	121212	400	COMPLETE	
2020/07/04	11:35	admin	1113683-5	121212	400	COMPLETE	
2020/07/04	11:40	admin	1113683-5	121212	400	COMPLETE	
2020/07/04	11:45	admin	1113683-5	121212	400	COMPLETE	
2020/07/04	11:50	admin	1113683-5	121212	400	COMPLETE	
2020/07/04	11:55	admin	1113683-5	121212	400	COMPLETE	
2020/07/04	12:00	admin	1113683-5	121212	400	COMPLETE	

STATUS

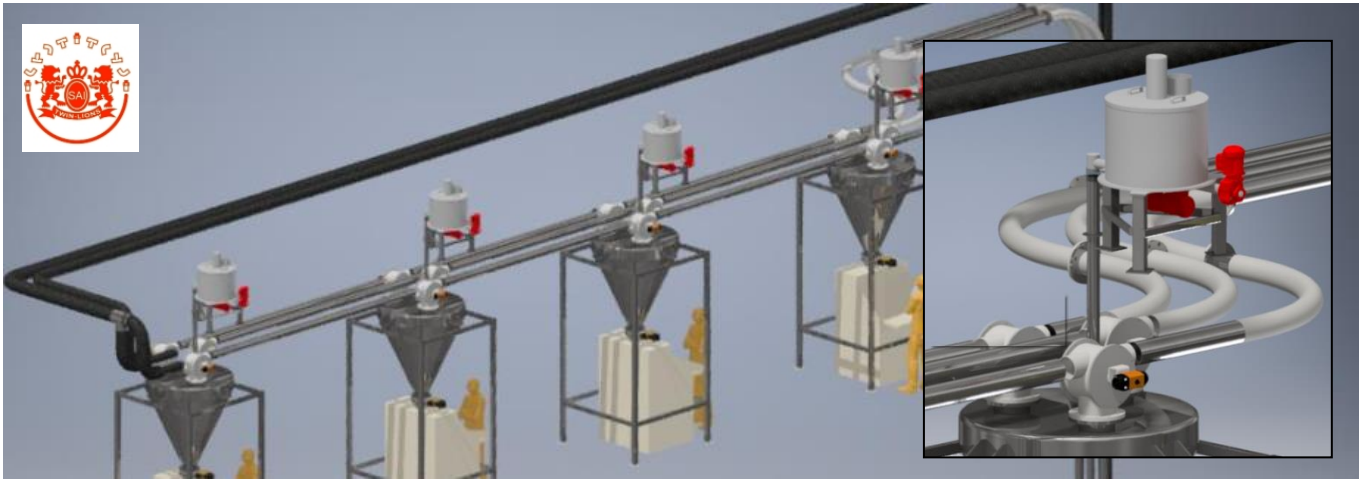
HOOPER 1 HOOPER 2 HOOPER 3 HOOPER 4

START COMPLETE

OVERVIEW RECIPE REPORT ALARM HIST. User: dsl User: admin@therec.com

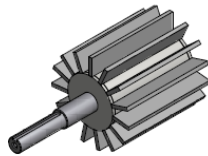
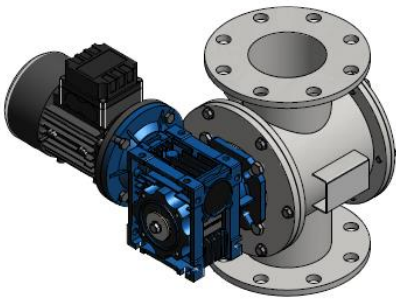
Bulk Material flow Measurement & Weighting system

Mixing & Filling process weighting system

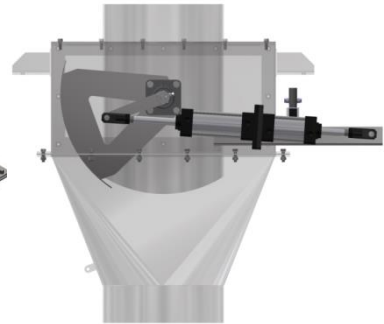


Saha aree Co., Ltd./ PVC and Calcium carbonate powder weighting system by Scale (Fill vent) valve

Saha aree Co., Ltd./ PVC pipe Additive powder weighting system by Dosing screw feeder



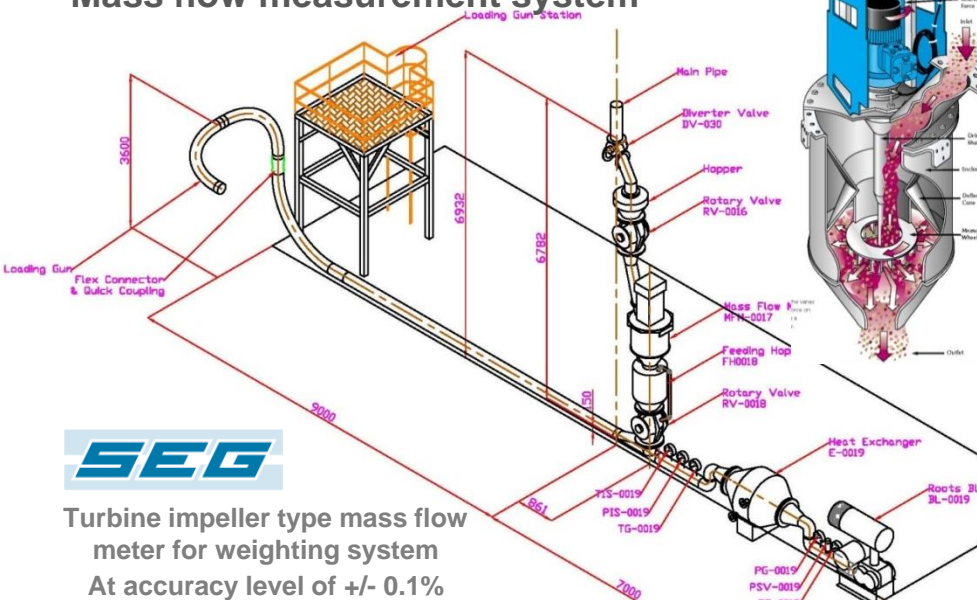
Thai Plastic Bags Industries Co., Ltd.



Thai Plastic Bag Co., Ltd./ Calcium carbonate powder weighting system by Dosing rotary valve

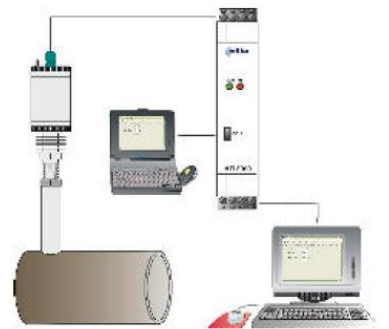
Thai Poly Ethylene Co., Ltd./ LLDPE Big bag filling station weighting system by Cut off valve

Mass flow measurement system

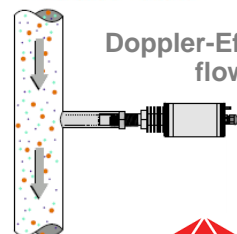


Turbine impeller type mass flow meter for weighting system
At accuracy level of +/- 0.1%

System components



A complete measuring system MF3000 contains the sensor, a cable, a DIN-rail transmitter and the software MF-SMART .



Doppler-Effect type mass flow meter

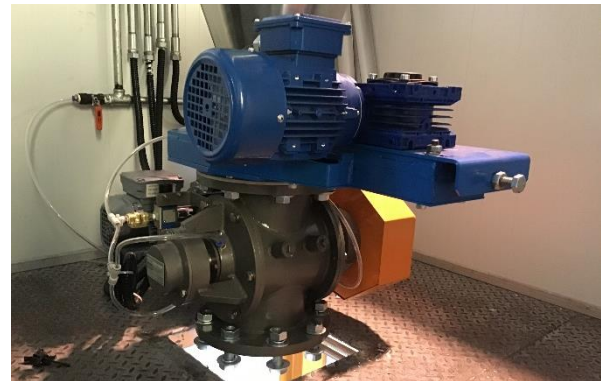
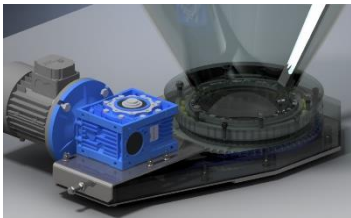
Thai Polyethylene(Public) Co., Ltd./SCG Chemical group
HDPE Pellet ,container loading station flow measurement system by Mass flow meter



Mixing & Filling process weighting system



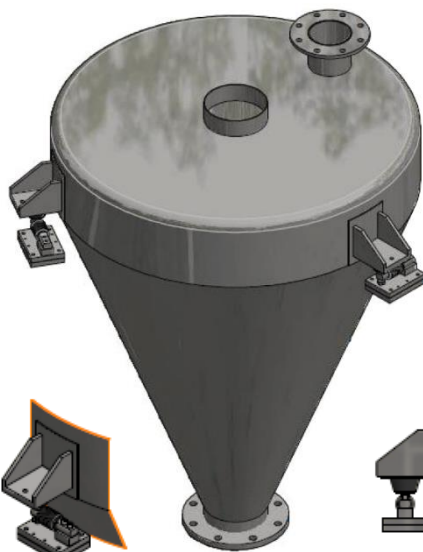
SPF Diana Co., Ltd./ Pet food seasonings weighting hoper set by Dosing Type rotary valve



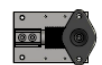
Hymix Co., Ltd./ PVC resin weighting hoper set by Dosing Type rotary valve with Bridge breaker for smooth operation, steady bulk density and continuous feeding

dianapetfood

Thames Side



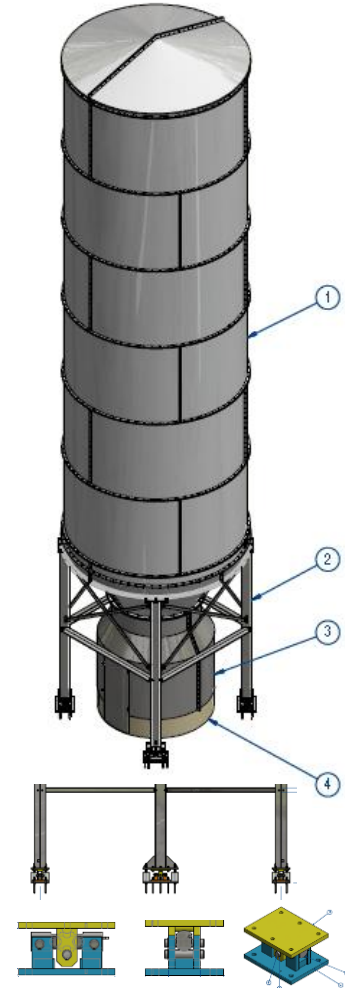
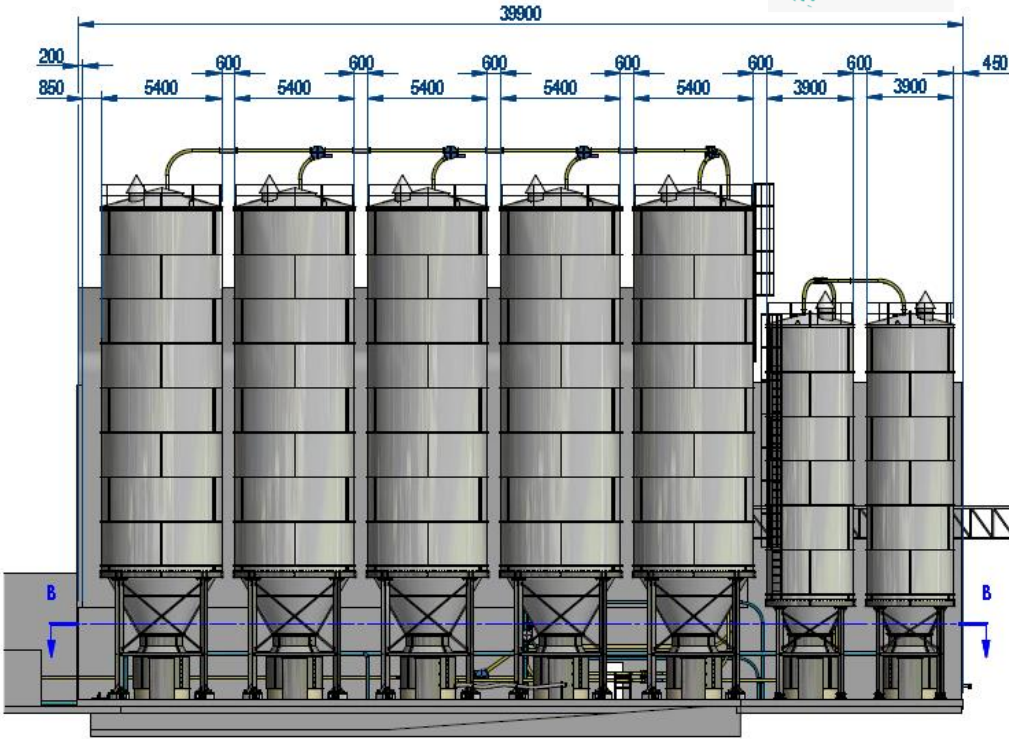
Low profile mounting assembly / VC 3500



Anti- Vibration mounting assembly / LA 66



Silo management & weighting system



Low profile mounting assembly / VC 3500



Smart Digital Display & Junction box

