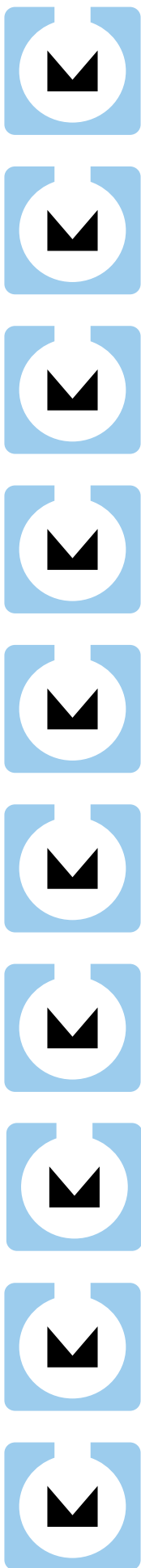


Call Toll Free: 1-800-426-1579
Toll-Free Fax: 1-800-545-1399
E-mail: sales@morriscoupling.com
Internet: www.morriscoupling.com



	PAGE
• Compression Couplings	
For Tubing and Pipe	1-3
With Gasket Protectors	4
Side-Band Couplings	5
Replacement Gaskets	6
• Quickon Couplers	7
• Morris Gripper Couplers	8
• Repair Clamps	
All (A) Round	9
Single-Type	10
Double-Type	11
• Morris Polyurethane Flexible Hose	12
• Morris Flexible Hose	
PVC	13-14
Metal	15-16
• Installation Components	17-18
• Tubing Products	
Long Radius Tube Bends	19
Straights	19
Tees, Wyes, Laterals	19
• Sight Glasses	20
• Wands	
Morris Gaylord Vacuum	21
Morris Dissipator™ Series Shock-Free	22
• Morris Coupling Nomenclature	23

MORRIS

COUPLING COMPANY

*... for over 60 years, your complete manufacturer
of components for pneumatic piping systems for
bulk handling.*

Morris Coupling Company

Serving the pneumatic bulk conveying industry for over 60 years with a complete line of precision quality coupling and tubing products, enabling you to purchase all of your needs from one source. And, on-time delivery performance, enabling you to meet your schedule.

Ordering Information

When ordering couplings, first determine the pipe size (IPS) or tube diameter (OD), choose the appropriate gasket material, decide whether or not you need a gasket protector or grounding strip (stainless steel or aluminum), and then select the corresponding coupling for your application. Always state the *outside diameter* of the pipe or tube, the size code number, and the price. If you prefer to use our computer PIC number designation, see page 21 for a complete explanation.

Terms

1% 10 Days, Net 30 Days.

F.O.B. Point

Factory

- Coupling Products, Repair Clamps – Erie, PA
- Tubing Products, Sight Glasses – Knoxville, TN

Shipments

All orders should specify method of shipment – whether freight, truck, express, or parcel post; in the absence of instructions, shipments will be made at the company's discretion. If special routing is desired, this should be stated. If post office and shipping point addresses differ, both should be given. Orders are accepted with the express understanding that Morris Coupling Company will not be liable for any losses or damages resulting from any delays in shipment or delivery due to any cause whatsoever.

Orders, Contracts and Agreements

All orders and contracts taken by representatives of agents, or received direct, are subject to acceptance by the company at Erie, Pennsylvania.

Quotations

All quotations are valid for acceptance within 30 days.

Minimum Order

The net minimum billing is \$50.00.

Returned Material

No merchandise can be returned without prior written consent of the company. All returned shipments must be accompanied with a completed Customer Return Authorization form clearly identifying the name and address of the sender. In the event any material is returned for credit, a restocking charge will be made, plus a charge for reconditioning where necessary. All products being returned must be new and in resaleable condition.

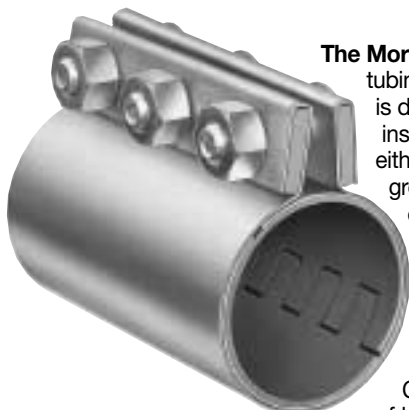
Special Products or Material

All non-stock catalog items and special products or materials that are subject to quotation *are not returnable*.

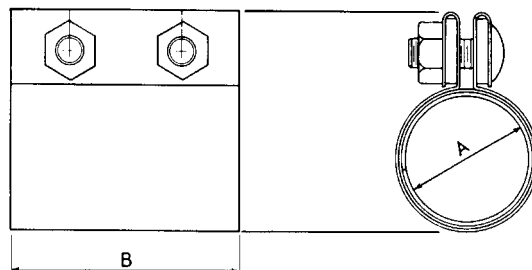
Warranty

We warrant the goods to be free from defects in material and workmanship as represented in our catalogs or applicable drawings and specifications agreed to by us at the time of acceptance of the order by Morris Coupling Company. Our obligation under this warranty shall be limited to repairing or replenishing any parts which shall, within one (1) year after shipment to the original purchaser, be demonstrated to be defective. This warranty is expressly in lieu of all other warranties, express or implied, including the warranties of merchantability and fitness for application. No person, firm or corporation is authorized to assume for us any other liability in connection with the sale of these goods.

Compression Couplings For Tubing And Pipe



The Morris Compression tubing and pipe coupling is designed for permanent installation in the joining of either plain end, threaded, grooved or a combination of any of these joints. The band type construction holds the entire surface of the joint in uniform compression.



Couplings are made of heavy-gauge zinc-plated steel...prices of aluminum or stainless-steel couplings quoted on request.

Gaskets furnished standard in red rubber or black neoprene...please specify. Gaskets also available in white neoprene and a variety of other materials at a slight extra charge.

Condensed Table Of Specifications

SIZE	Thickness		
	Shell	Sleeve	Gasket
1/2" - 2-7/8" OD	.052	.052	.062
3" OD	.052	.052	.093
3-1/4" - 5" OD	.062	.052	.093
5-1/4" - 8-5/8" OD	.062	.052	.125
9" - 24" OD	.062	.062	.125

Tubing or Nom. Pipe (IPS) Size	O.D. Tubing Pipe (A)	Morris Coupling Code	Coupling Length (B)	No. of Bolts	Size of Bolts	Weight Each (lbs.)	LIST PRICE ⁽²⁾			
							BLACK Gasket*		WHITE Gasket*	
							PIC No.	Price ⁽¹⁾	PIC No.	Price
1/2" Pipe	.840	1/2-2C	2"	2	5/16 x 1-1/4"	.5	0100842B2		0100842W2	
3/4" Pipe	1.050	3/4-2C	2"	2	5/16 x 1-1/4"	.7	0101052B2		0101052W2	
1" Tubing	1.000	1-2C-OD	2"	2	5/16 x 1-1/4"	1.6	0101002B2		0101002W2	
1" Pipe	1.315	1-2C	4"	2	1/2 x 1-3/4"	1.6	0101312B2		0101312W2	
1-1/4" Tubing	1.250	1-1/4-2C-OD	4"	2	1/2 x 1-3/4"	1.9	0101252B2		0101252W2	
1-1/4" Pipe	1.660	1-1/4-2C	4"	2	1/2 x 1-3/4"	1.8	0101662B2		0101662W2	
	1.660	1-1/4-3C	6"	3	1/2 x 1-3/4"	3.0	0101663B2		0101663W2	
1-1/2" Tubing	1.500	1-1/2-2C-OD	4"	2	1/2 x 1-3/4"	2.0	0101502B2FG		0101502W2FG	
	1.500	1-1/2-3C-OD	6"	3	1/2 x 1-3/4"	2.9	0101503B2FG		0101503W2FG	
1-1/2" Pipe	1.900	1-1/2-2C	4"	2	1/2 x 1-3/4"	2.0	0101902B2		0101902W2	
	1.900	1-1/2-3C	6"	3	1/2 x 1-3/4"	3.1	0101903B2		0101903W2	
1-3/4" Tubing	1.750	1-3/4-2C-OD	4"	2	1/2 x 1-3/4"	2.1	0101752B2FG		0101752W2FG	
	1.750	1-3/4-3C-OD	6"	3	1/2 x 1-3/4"	3.0	0101753B2FG		0101753W2FG	
2" Tubing	2.000	2-2C-OD	4"	2	1/2 x 1-3/4"	2.1	0102002B2FG		0102002W2FG	
	2.000	2-3C-OD	6"	3	1/2 x 1-3/4"	3.1	0102003B2FG		0102003W2FG	
2" Pipe	2.375	2-2C	4"	2	1/2 x 1-3/4"	2.2	0102372B2FG		0102372W2	
	2.375	2-3C	6"	3	1/2 x 1-3/4"	3.5	0102373B2FG		0102373W2FG	
	2.375	2-4C	8"	4	1/2 x 1-3/4"	4.7	0102374B2		0102374W2	
2-1/8" Tubing	2.125	2-1/8-2C-OD	4"	2	1/2 x 1-3/4"	2.1	0102122B2		0102122W2	
	2.125	2-1/8-3C-OD	6"	3	1/2 x 1-3/4"	3.2	0102123B2FG		0102123W2FG	
2-3/16" Tubing	2.187	2-3/16-2C-OD	4"	2	1/2 x 1-3/4"	2.2	0102182B2FG		0102182W2FG	
	2.187	2-3/16-3C-OD	6"	3	1/2 x 1-3/4"	3.3	0102183B2FG		0102183W2	
2-1/4" Tubing	2.250	2-1/4-2C-OD	4"	2	1/2 x 1-3/4"	2.2	0102252B2		0102252W2	
	2.250	2-1/4-3C-OD	6"	3	1/2 x 1-3/4"	3.3	0102253B2FG		0102253W2FG	
2-1/2" Tubing	2.500	2-1/2-2C-OD	4"	2	1/2 x 1-3/4"	2.6	0102502B2FG		0102502W2FG	
	2.500	2-1/2-3C-OD	6"	3	1/2 x 1-3/4"	3.4	0102503B2FG		0102503W2FG	
2-1/2" Pipe	2.875	2-1/2-2C	4"	2	1/2 x 1-3/4"	2.4	0102872B2		0102872W2	
	2.875	2-1/2-3C	6"	3	1/2 x 1-3/4"	3.7	0102873B2		0102873W2	
	2.875	2-1/2-4C	8"	4	1/2 x 1-3/4"	5.0	0102874B2		0102874W2	
2-3/4" Tubing	2.750	2-3/4-3C-OD	6"	3	1/2 x 1-3/4"	3.6	0102753B2		0102753W2	
3" Tubing	3.000	3-2C-OD	4"	2	5/8 x 2	3.2	0103002B2FG		0103002W2FG	
	3.000	3-3C-OD	6"	3	5/8 x 2	4.5	0103003B2FG		0103003W2FG	
	3.000	3-4C-OD	8"	4	5/8 x 2	5.9	0103004B2FG		0103004W2	
3" Pipe	3.500	3-2C	4"	2	5/8 x 2	3.4	0103502B2FG		0103502W2	
	3.500	3-3C	6"	3	5/8 x 2	5.1	0103503B2FG		0103503W2FG	
	3.500	3-4C	8"	4	5/8 x 2	6.6	0103504B2FG		0103504W2FG	
3-1/4" Tubing	3.250	3-1/4-2C-OD	4"	2	5/8 x 2	3.5	0103252B2		0103252W2	
	3.250	3-1/4-3C-OD	6"	3	5/8 x 2	5.0	0103253B2		0103253W2	
	3.250	3-1/4-4C-OD	8"	4	5/8 x 2	6.5	0103254B2		0103254W2	
3-1/2" Tubing	3.500	3-2C	4"	2	5/8 x 2	3.4	0103502B2FG		0103502W2	
	3.500	3-3C	6"	3	5/8 x 2	5.1	0103503B2FG		0103503W2FG	
	3.500	3-4C	8"	4	5/8 x 2	6.6	0103504B2FG		0103504W2FG	

- WHEN ORDERING, always give the Code No. and O.D. of the pipe or tube on which coupling will be used.
- Prices for larger and/or special sizes available on request.

NOTE: When ordering GASKETS ONLY, please refer to page 6.

- (1) Same price applies for couplings with red rubber gaskets.
- (2) Stainless steel grounding strips are standard on all couplings. Aluminum grounding strips or couplings without grounding strips available at same price.

*Neoprene

For Prices and Delivery

Call Toll Free: 1-800-426-1579
 Toll-Free Fax: 1-800-545-1399
 E-mail: sales@morriscoupling.com
 internet: www.morriscoupling.com

MORRIS
COUPLING COMPANY

2240 W. 15th St., Erie, PA 16505
 Phone: 814-459-1741

Compression Couplings For Tubing And Pipe continued



To Prevent Static Electricity Build-up in Bulk Material Conveying Systems, specify Morris Compression Couplings with grounding strips. Be sure to state if your requirements call for aluminum or stainless steel strips. Stainless steel grounding strips are standard, aluminum grounding strips or couplings without grounding strips are available at the same price.

To Eliminate Gasket Wear, or contamination of material flowing through the system lines, specify Couplings with Stainless Steel GASKET PROTECTORS. (For prices, see page 4.)

Tubing or Nom. Pipe (IPS) Size	O.D. Tubing Pipe (A)	Morris Coupling Code	Coupling Length (B)	No. of Bolts	Size of Bolts	Weight Each (lbs.)	LIST PRICE ⁽²⁾			
							BLACK Gasket*		WHITE Gasket*	
							PIC No.	Price ⁽¹⁾	PIC No.	Price
3-1/2" PIPE	4.000	3-1/2-2C	4"	2	5/8 x 2	3.7	0104002B2FG		0104002W2	
	4.000	3-1/2-3C	6"	3	5/8 x 2	5.3	0104003B2FG		0104003W2FG	
	4.000	3-1/2-4C	8"	4	5/8 x 2	7.2	0104004B2FG		0104004W2FG	
3-3/4" TUBING	3.750	3-3/4-3C-OD	6"	3	5/8 x 2	5.6	0103753B2		0103753W2	
	3.750	3-3/4-4C-OD	8"	4	5/8 x 2	7.4	0103754B2		0103754W2	
4" TUBING	4.000	3-1/2-2C	4"	2	5/8 x 2	3.7	0104002B2FG		0104002W2	
	4.000	3-1/2-3C	6"	3	5/8 x 2	5.3	0104003B2FG		0104003W2FG	
	4.000	3-1/2-4C	8"	4	5/8 x 2	7.2	0104004B2FG		0104004W2FG	
4" PIPE	4.500	4-2C	4"	2	5/8 x 2	3.8	0104502B2FG		0104502W2	
	4.500	4-3C	6"	3	5/8 x 2	5.5	0104503B2FG		0104503W2FG	
	4.500	4-4C	8"	4	5/8 x 2	7.7	0104504B2FG		0104504W2FG	
	4.250	4-1/4-3C-OD	6"	3	5/8 x 2	5.5	0104253B2		0104253W2	
4-1/4" TUBING	4.250	4-1/4-4C-OD	8"	4	5/8 x 2	7.0	0104254B2		0104254W2	
	4.500	4-2C	4"	2	5/8 x 2	3.8	0104502B2FG		0104502W2	
4-1/2" TUBING	4.500	4-3C	6"	3	5/8 x 2	5.5	0104503B2FG		0104503W2FG	
	4.500	4-4C	8"	4	5/8 x 2	7.7	0104504B2FG		0104504W2FG	
	5.000	4-1/2-2C	4"	2	5/8 x 2	4.2	0105002B2FG		0105002W2	
4-1/2" PIPE	5.000	4-1/2-3C	6"	3	5/8 x 2	6.2	0105003B2FG		0105003W2FG	
	5.000	4-1/2-4C	8"	4	5/8 x 2	8.1	0105004B2FG		0105004W2FG	
	4.750	4-3/4-3C-OD	6"	3	5/8 x 2	6.5	0104753B2		0104753W2	
4-3/4" TUBING	4.750	4-3/4-4C-OD	8"	4	5/8 x 2	8.6	0104754B2		0104754W2	
	5.000	4-1/2-2C	4"	2	5/8 x 2	4.2	0105002B2FG		0105002W2	
5" TUBING	5.000	4-1/2-3C	6"	3	5/8 x 2	6.2	0105003B2FG		0105003W2FG	
	5.000	4-1/2-4C	8"	4	5/8 x 2	8.1	0105004B2FG		0105004W2FG	
	5.563	5-2C	4"	2	5/8 x 2	4.6	0105562B2		0105562W2	
5" PIPE	5.563	5-3C	6"	3	5/8 x 2	6.8	0105563B2FG		0105563W2	
	5.563	5-4C	8"	4	5/8 x 2	8.8	0105564B2FG		0105564W2	
	5.250	5-1/4-3C-OD	6"	3	5/8 x 2	6.6	0105253B2		0105253W2	
5-1/4" TUBING	5.500	5-1/2-3C-OD	6"	3	5/8 x 2	6.8	0105503B2		0105503W2	
	5.500	5-1/2-4C-OD	8"	4	5/8 x 2	9.0	0105504B2		0105504W2	
5-3/4" TUBING	5.750	5-3/4-3C-OD	6"	3	5/8 x 2	7.8	0105753B2		0105753W2	
	5.750	5-3/4-4C-OD	8"	4	5/8 x 2	9.2	0105754B2		0105754W2	
6" TUBING	6.000	6-2C-OD	4"	2	5/8 x 2	4.7	0106002B2FG		0106002W2	
	6.000	6-3C-OD	6"	3	5/8 x 2	7.0	0106003B2FG		0106003W2FG	
	6.000	6-4C-OD	8"	4	5/8 x 2	9.4	0106004B2FG		0106004W2FG	
6" PIPE	6.000	6-5C-OD	10"	5	5/8 x 2	11.8	0106005B2		0106005W2	
	6.625	6-2C	4"	2	5/8 x 2	5.3	0106622B2		0106622W2	
	6.625	6-3C	6"	3	5/8 x 2	7.8	0106623B2FG		0106623W2	
	6.625	6-4C	8"	4	5/8 x 2	10.4	0106624B2FG		0106624W2	
	6.625	6-5C	10"	5	5/8 x 2	14.3	0106625B2		0106625W2	
6-1/4" TUBING	6.250	6-1/4-3C-OD	6"	3	5/8 x 2	7.3	0106253B2		0106253W2	
	6.250	6-1/4-4C-OD	8"	4	5/8 x 2	10.0	0106254B2		0106254W2	
6-1/2" TUBING	6.500	6-1/2-3C-OD	6"	3	5/8 x 2	7.5	0106503B2		0106503W2	
	6.500	6-1/2-4C-OD	8"	4	5/8 x 2	10.4	0106504B2		0106504W2	
6-3/4" TUBING	6.750	6-3/4-3C-OD	6"	3	5/8 x 2	7.7	0106753B2		0106753W2	
	6.750	6-3/4-4C-OD	8"	4	5/8 x 2	10.8	0106754B2		0106754W2	
7" TUBING	7.000	7-3C-OD	6"	3	5/8 X 2	7.9	0107003B2		0107003W2	
	7.000	7-4C-OD	8"	4	5/8 X 2	10.8	0107004B2		0107004W2	
	7.000	7-5C-OD	10"	5	5/8 X 2	13.7	0107005B2		0107005W2	
7-1/4" TUBING	7.250	7-1/4-3C-OD	6"	3	5/8 x 2	8.3	0107253B2		0107253W2	
7-1/2" TUBING	7.500	7-1/2-3C-OD	6"	3	5/8 x 2	8.5	0107503B2		0107503W2	
	7.500	7-1/2-4C-OD	8"	4	5/8 x 2	11.3	0107504B2		0107504W2	
7-3/4" TUBING	7.750	7-3/4-3C-OD	6"	3	5/8 x 2	8.9	0107753B2		0107753W2	
8" TUBING	8.000	8-2C-OD	6"	2	3/4 x 3	11.0	0108002B2FG		0108002W2	
	8.000	8-3C-OD	8"	3	3/4 x 3	14.3	0108003B2FG		0108003W2	
	8.000	8-4C-OD	10"	4	3/4 x 3	18.0	0108004B2FG		0108004W2	
	8.000	8-5C-OD	12"	5	3/4 x 3	22.0	0108005B2		0108005W2	
	8.625	8-2C	6"	2	3/4 x 3	11.5	0108622B2		0108622W2	
8" PIPE	8.625	8-3C	8"	3	3/4 x 3	14.6	0108623B2		0108623W2	
	8.625	8-4C	10"	4	3/4 x 3	18.8	0108624B2FG		0108624W2	
	8.625	8-5C	12"	5	3/4 x 3	23.0	0108625B2		0108625W2	
	9.000	9-3C-OD	8"	3	3/4 x 3	15.9	0109003B2		0109003W2	
9" TUBING	9.000	9-4C-OD	10"	4	3/4 x 3	19.9	0109004B2		0109004W2	

* WHEN ORDERING, always give the Code No. and O.D. of the pipe or tube on which coupling will be used. *Neoprene

(1) Same price applies for couplings with red rubber gaskets. All prices shown are F.O.B. Erie, PA – prices subject to change without notice.

(2) Stainless steel grounding strips are standard on all couplings. Aluminum grounding strips or couplings without grounding strips available at same price.

Compression Couplings For Tubing And Pipe *continued*

Tubing or Nom. Pipe (IPS) Size	O.D. Tubing Pipe (A)	Morris Coupling Code	Coupling Length (B)	No. of Bolts	Size of Bolts	Weight Each (lbs.)	LIST PRICE ⁽²⁾			
							BLACK Gasket*		WHITE Gasket*	
							PIC No.	Price ⁽¹⁾	PIC No.	Price
10" Tubing	10.000	10-3C-OD	8"	3	3/4 x 3	17.5	0110003B2		0110003W2	
	10.000	10-4C-OD	10"	4	3/4 x 3	21.8	0110004B2FG		0110004W2	
	10.000	10-5C-OD	12"	5	3/4 x 3	26.1	0110005B2		0110005W2	
10" Pipe	10.750	10-3C	8"	3	3/4 x 3	16.4	0110753B2		0110753W2	
	10.750	10-4C	10"	4	3/4 x 3	20.3	0110754B2		0110754W2	
	10.750	10-5C	12"	5	3/4 x 3	25.2	0110755B2		0110755W2	
12" Tubing	12.000	12-3C-OD	8"	3	3/4 x 3	20.4	0112003B2		0112003W2	
	12.000	12-4C-OD	10"	4	3/4 x 3	25.5	0112004B2		0112004W2	
	12.000	12-5C-OD	12"	5	3/4 x 3	30.2	0112005B2		0112005W2	
12" Pipe	12.750	12-3C	8"	3	3/4 x 3	18.7	0112753B2		0112753W2	
	12.750	12-4C	10"	4	3/4 x 3	23.3	0112754B2		0112754W2	
	12.750	12-5C	12"	5	3/4 x 3	28.1	0112755B2		0112755W2	
13" Tubing	13.000	13-3C-OD	8"	3	3/4 x 3	21.8	0113003B2		0113003W2	
	13.000	13-4C-OD	10"	4	3/4 x 3	26.8	0113004B2		0113004W2	
	13.000	13-5C-OD	12"	5	3/4 x 3	32.6	0113005B2		0113005W2	
14**	14.000	14-3C-OD	8"	3	3/4 x 3	22.9	0114003B2		0114003W2	
	14.000	14-4C-OD	10"	4	3/4 x 3	27.6	0114004B2		0114004W2	
	14.000	14-5C-OD	12"	5	3/4 x 3	34.2	0114005B2		0114005W2	
	14.000	14-6C-OD	16"	6	3/4 x 3	45	0114006B2		0114006W2	
15**	15.000	15-3C-OD	8"	3	3/4 x 3	24	0115003B2		0115003W2	
	15.000	15-4C-OD	10"	4	3/4 x 3	29.6	0115004B2		0115004W2	
	15.000	15-5C-OD	12"	5	3/4 x 3	35.9	0115005B2		0115005W2	
	15.000	15-6C-OD	16"	6	3/4 x 3	48	0115006B2		0115006W2	
16**	16.000	16-3C-OD	8"	3	3/4 x 3	25.3	0116003B2		0116003W2	
	16.000	16-4C-OD	10"	4	3/4 x 3	31.1	0116004B2		0116004W2	
	16.000	16-5C-OD	12"	5	3/4 x 3	37.8	0116005B2		0116005W2	
	16.000	16-6C-OD	16"	6	3/4 x 3	49.5	0116006B2		0116006W2	
18**	18.000	18-4C-OD	10"	4	3/4 x 3	34.7	0118004B2		0118004W2	
	18.000	18-5C-OD	12"	5	3/4 x 3	41.9	0118005B2		0118005W2	
	18.000	18-6C-OD	16"	6	3/4 x 3	54.9	0118006B2		0118006W2	
20**	20.000	20-5C-OD	12"	5	3/4 x 3	45.6	0120005B2		0120005W2	
	20.000	20-6C-OD	16"	6	3/4 x 3	59.5	0120006B2		0120006W2	
22**	22.000	22-5C-OD	12"	5	3/4 x 3	48.9	0122005B2		0122005W2	
	22.000	22-6C-OD	16"	6	3/4 x 3	64.4	0122006B2		0122006W2	
24**	24.000	24-5C-OD	12"	5	3/4 x 3	52.1	0124005B2		0124005W2	
	24.000	24-6C-OD	16"	6	3/4 x 3	68.6	0124006B2		0124006W2	

- WHEN ORDERING, always give the Code No. and O.D. of the pipe or tube on which coupling will be used.
- Overall height of coupling, including flange, is coupling O.D. plus 2-3/4".
- **Tubing and pipe have same O.D. *Neoprene

- (1) Same price applies for couplings with red rubber gaskets.
- (2) Stainless steel grounding strips are standard on all couplings. Aluminum grounding strips or couplings without grounding strips available at same price.

Dual-Purpose Couplings For Tubing And Pipe



When higher pressures or applications requiring greater end-pull capabilities are encountered, these dual-flange couplings are recommended. Gasket is one piece with single row of interlocking teeth as illustrated. The outer shell with flanges and the inner sleeve are two pieces each. Dual-Purpose Couplings slide to position at the joint without removing the bolts ... or may be separated into halves for assembly around the joint.

Tubing or Nom. Pipe (IPS) Size	O.D. Tubing Pipe (A)	Morris Coupling Code	Coupling Length (B)	No. of Bolts	Size of Bolts	Weight Each (lbs.)	LIST PRICE ⁽²⁾			
							BLACK Gasket*		WHITE Gasket*	
							PIC No.	Price ⁽¹⁾	PIC No.	Price
20**	20.000	20-5C-OD DP	12"	10	3/4 x 3	54.8	0820005B2		0820005W2	
	20.000	20-6C-OD DP	16"	12	3/4 x 3	72.9	0820006B2		0820006W2	
22**	22.000	22-5C-OD DP	12"	10	3/4 x 3	57.8	0822005B2		0822005W2	
	22.000	22-6C-OD DP	16"	12	3/4 x 3	76.6	0822006B2		0822006W2	
24**	24.000	24-5C-OD DP	12"	10	3/4 x 3	61.2	0824005B2		0824005W2	
	24.000	24-6C-OD DP	16"	12	3/4 x 3	81.3	0824006B2		0824006W2	
26**	26.000	26-5C-OD DP	12"	10	3/4 x 3	64.5	0826005B2		0826005W2	
	26.000	26-6C-OD DP	16"	12	3/4 x 3	85.8	0826006B2		0826006W2	
28**	28.000	28-5C-OD DP	12"	10	3/4 x 3	67.8	0828005B2		0828005W2	
	28.000	28-6C-OD DP	16"	12	3/4 x 3	93.1	0828006B2		0828006W2	

- WHEN ORDERING, always give the Code No. and O.D. of the pipe or tube on which coupling will be used.
- Dimensions of couplings to outside edges of flanges is coupling O.D. plus 5-1/2".
- **Tubing and pipe have same O.D. *Neoprene.

All prices shown are F.O.B. Erie, PA – prices subject to change without notice.
PRICES FOR SIZES NOT SHOWN WILL BE QUOTED ON REQUEST.

For Prices and Delivery

Call Toll Free: 1-800-426-1579
Toll-Free Fax: 1-800-545-1399
E-mail: sales@morriscoupling.com
internet: www.morriscoupling.com



2240 W. 15th St., Erie, PA 16505
Phone: 814-459-1741

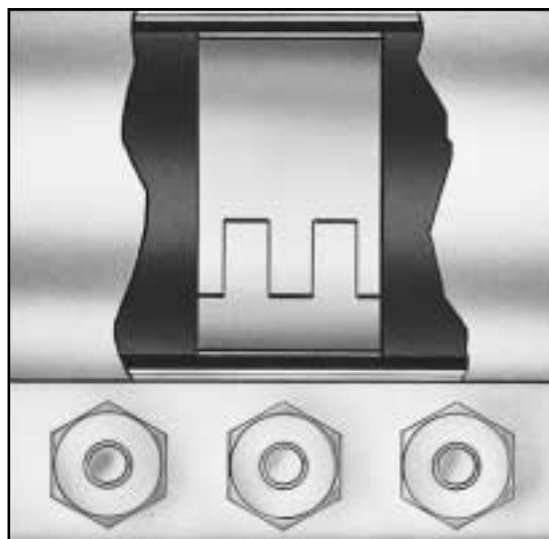
Compression Couplings with Stainless-Steel Gasket Protectors

You can eliminate costly downtime and replacement of coupling gaskets in your vacuum conveying system.

Morris Gasket Protectors provide positive gasket protection against abrasion or corrosion with no adverse effect on Coupling capabilities. They prevent gasket wear which occurs when pipe or tubing ends do not butt completely. This gap is often unavoidable and always undetectable. In vacuum systems, gaskets without Protectors can be drawn into the line enough to cause excessive wear and eventual system leaks. This may result in undesirable contamination of the materials being handled.

Morris Couplings with Gasket Protectors fully eliminate these costly hazards to the effective and economical operation of vacuum conveying systems.

- Are factory assembled – no loose parts.
- Automatically compensate for field installation variations causing exposure of gaskets – prevent pinched gaskets at butt connections.
- Gasket Protectors are of Type 304 stainless steel with interlocking teeth – excellent for protection against abrasion and corrosion.
- For special corrosive applications, specify Teflon Gasket Protectors*.



Gasket Protectors are for use with Morris Compression Couplings only and are **not recommended for couplings less than 6" long**.

For Couplings with Gasket Protectors in sizes not listed at right, contact the factory.

All shipments are F.O.B. Erie, PA.

Prices subject to change without notice.

TO ORDER:

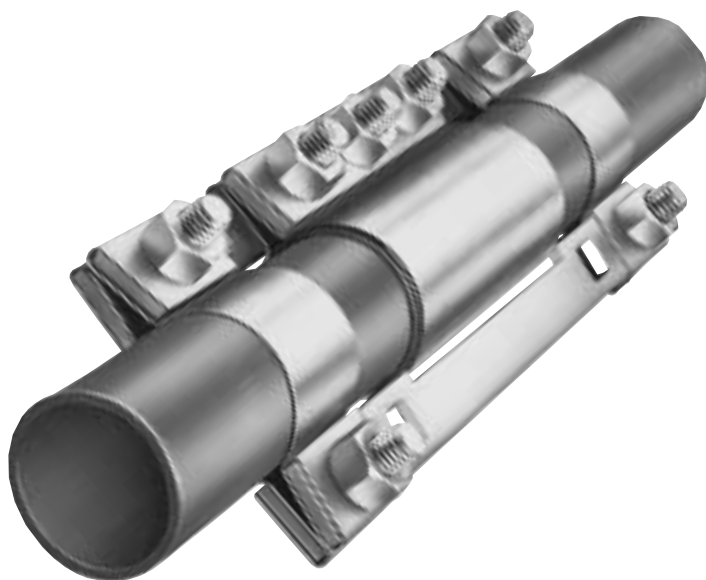
Order by Code No. and O.D. Specify "WITH STAINLESS STEEL GASKET PROTECTOR."

O.D. of Tubing or Pipe Size (in.)	Morris Standard Coupling Code No.	LIST PRICE			
		BLACK Gasket*		WHITE Gasket*	
		PIC No.	Price ⁽¹⁾	PIC No.	Price
1.500	1-1/2-3C OD	0101503B3FG		0101503W3	
1.900	1-1/2-3C	0101903B3		0101903W3	
1.750	1-3/4-3C OD	0101753B3FG		0101753W3	
2.000	2-3C OD	0102003B3FG		0102003W3	
2.187	2-3/16-3C OD	0102183B3FG		0102183W3	
2.250	2-1/4-3C OD	0102253B3FG		0102253W3	
2.375	2-3C	0102373B3FG		0102373W3	
2.500	2-1/2-3C OD	0102503B3FG		0102503W3	
2.875	2-1/2-3C	0102873B3		0102873W3	
3.000	3-3C OD	0103003B3FG		0103003W3	
	3-4C OD	0103004B3		0103004W3	
3.500	3-3C	0103503B3FG		0103503W3	
	3-4C	0103504B3		0103504W3	
4.000	3-1/2-3C	0104003B3FG		0104003W3	
	3-1/2-4C	0104004B3FG		0104004W3	
4.500	4-3C	0104503B3FG		0104503W3	
	4-4C	0104504B3		0104504W3	
5.000	4-1/2-3C	0105003B3		0105003W3	
	4-1/2-4C	0105004B3		0105004W3	
5.563	5-3C	0105563B3		0105563W3	
	5-4C	0105564B3		0105564W3	
6.000	6-3C OD	0106003B3		0106003W3	
	6-4C OD	0106004B3		0106004W3	
6.625	6-3C	0106623B3		0106623W3	
	6-4C	0106624B3		0106624W3	
8.000	8-3C OD	0108003B3		0108003W3	
	8-4C OD	0108004B3		0108004W3	
8.625	8-3C	0108623B3		0108623W3	
	8-4C	0108624B3		0108624W3	
10.000	10-3C OD	0110003B3		0110003W3	
	10-4C OD	0110004B3		0110004W3	
	10-5C OD	0110005B3		0110005W3	
10.750	10-3C	0110753B3		0110753W3	
	10-4C	0110754B3		0110754W3	
	10-5C	0110755B3		0110755W3	
12.000	12-3C OD	0112003B3		0112003W3	
	12-4C OD	0112004B3		0112004W3	
	12-5C OD	0112005B3		0112005W3	
12.750	12-3C	0112753B3		0112753W3	
	12-4C	0112754B3		0112754W3	
	12-5C	0112755B3		0112755W3	

(1) Same price applies for couplings with red rubber gaskets.

*Contact factory for prices of couplings with Teflon gasket protectors.

Side-Band Compression Couplings



Unique design of Morris Side-Band Compression Couplings gives you vastly improved axial-force holding power to connect or repair threaded or unthreaded pipe and tubing.

Dual-locking side bands grip the pipes and allow higher operating pressures than those normally suggested for standard Morris compression couplings. Especially effective where line vibration is a problem, and on plastic pipe.

You get all the positive sealing advantages of the Morris compression coupling in a coupling that can hold its own in fighting end pull.

Available for 1-1/2" through 24" nominal pipe or tubing sizes – including millimeter sizes. Static grounding strips or stainless-steel gasket protectors also available.

O.D. of Tubing or Pipe (in.)	Morris Coupling Code No.	Wt. Each (lb.)	LIST PRICE ⁽²⁾			
			BLACK Gasket*		WHITE Gasket*	
			PIC No.	Price ⁽¹⁾	PIC No.	Price
2.000	2-3C-OD-SB	7.3	3102003B0		3102003W0	
2.375	2-3C-SB	7.7	3102373B0		3102373W0	
2.500	2-1/2-3C-OD-SB	8.1	3102503B0		3102503W0	
2.875	2-1/2-3C-SB	8.7	3102873B0		3102873W0	
3.000	3-3C-OD-SB	9.2	3103003B0		3103003W0	
	3-4C-OD-SB	10.1	3103004B0		3103004W0	
3.500	3-3C-SB	9.8	3103503B0		3103503W0	
	3-4C-SB	10.7	3103504B0		3103504W0	
4.000	3-1/2-3C-SB	10.3	3104003B0		3104003W0	
	3-1/2-4C-SB	12.9	3104004B0		3104004W0	
4.500	4-3C-SB	10.7	3104503B0		3104503W0	
	4-4C-SB	13.4	3104504B0		3104504W0	
5.000	4-1/2-3C-SB	11.4	3105003B0		3105003W0	
	4-1/2-4C-SB	14.1	3105004B0		3105004W0	
5.563	5-3C-SB	12.3	3105563B0		3105563W0	
	5-4C-SB	15.0	3105564B0		3105564W0	

O.D. of Tubing or Pipe (in.)	Morris Coupling Code No.	Wt. Each (lb.)	LIST PRICE ⁽²⁾			
			BLACK Gasket*		WHITE Gasket*	
			PIC No.	Price ⁽¹⁾	PIC No.	Price
6.000	6-3C-OD-SB	12.5	3106003B0		3106003W0	
	6-4C-OD-SB	15.6	3106004B0		3106004W0	
6.625	6-3C-SB	13.5	3106623B0		3106623W0	
	6-4C-SB	16.9	3106624B0		3106624W0	
8.000	8-3C-OD-SB	24.8	3108003B0		3108003W0	
	8-4C-OD-SB	28.5	3108004B0		3108004W0	
8.625	8-3C-SB	25.6	3108623B0		3108623W0	
	8-4C-SB	29.8	3108624B0		3108624W0	
10.000	10-3C-OD-SB	29.2	3110003B0		3110003W0	
	10-4C-OD-SB	33.5	3110004B0		3110004W0	
10.750	10-3C-SB	28.1	3110753B0		3110753W0	
	10-4C-SB	32.0	3110754B0		3110754W0	
12.000	12-3C-OD-SB	32.1	3112003B0		3112003W0	
	12-4C-OD-SB	37.0	3112004B0		3112004W0	
12.750	12-3C-SB	32.7	3112753B0		3112753W0	
	12-4C-SB	37.9	3112754B0		3112754W0	

(1) Same price applies for couplings with red rubber gaskets.

(2) Stainless steel or aluminum grounding strips are available at same price.

*Neoprene

- WHEN ORDERING, always give the Code No. and O.D. of the pipe or tube on which coupling will be used.
- Contact factory for prices of couplings with Teflon gasket protectors.
- Prices for larger and/or special sizes available on request.

Note: For Side-Band coupling length, add 8 inches to basic coupling length.

For Prices and Delivery

Call Toll Free: 1-800-426-1579

Toll-Free Fax: 1-800-545-1399

E-mail: sales@morriscoupling.com

internet: www.morriscoupling.com



2240 W. 15th St., Erie, PA 16505
Phone: 814-459-1741

Replacement Gaskets

Gaskets For Compression Couplings For Tubing and Pipe

Tubing or Pipe Size	O.D. Tubing Pipe	Morris Coupling Code No.	LIST PRICE			
			BLACK Gasket*		WHITE Gasket*	
			PIC No.	Price ⁽¹⁾	PIC No.	Price
1/2" Pipe	.840	1/2-2C	3500842B0		3500842W0	
3/4" Pipe	1.050	3/4-2C	3501052B0		3501052W0	
1" Tubing	1.000	1-2C-OD	3501002B0		3501002W0	
1" Pipe	1.315	1-2C	3501312B0		3501312W0	
1-1/4" Tubing	1.250	1-1/4-2C-OD	3501252B0		3501252W0	
1-1/4" Pipe	1.660	1-1/4-2C	3501662B0		3501662W0	
	1.660	1-1/4-3C	3501663B0		3501663W0	
1-1/2" Tubing	1.500	1-1/2-2C-OD	3501502B0		3501502W0	
	1.500	1-1/2-3C-OD	3501503B0		3501503W0	
1-1/2" Pipe	1.900	1-1/2-2C	3501902B0		3501902W0	
	1.900	1-1/2-3C	3501903B0		3501903W0	
1-3/4" Tubing	1.750	1-3/4-2C-OD	3501752B0		3501752W0	
	1.750	1-3/4-3C-OD	3501753B0		3501753W0	
2" Tubing	2.000	2-2C-OD	3502002B0		3502002W0	
	2.000	2-3C-OD	3502003B0		3502003W0	
2" Pipe	2.375	2-2C	3502372B0		3502372W0	
	2.375	2-3C	3502373B0		3502373W0	
	2.375	2-4C	3502374B0		3502374W0	
2-1/8" Tubing	2.125	2-1/8-2C-OD	3502122B0		3502122W0	
	2.125	2-1/8-3C-OD	3502123B0		3502123W0	
2-3/16" Tubing	2.187	2-3/16-2C-OD	3502182B0		3502182W0	
	2.187	2-3/16-3C-OD	3502183B0		3502183W0	
2-1/4" Tubing	2.250	2-1/4-2C-OD	3502252B0		3502252W0	
	2.250	2-1/4-3C-OD	3502253B0		3502253W0	
2-1/2" Tubing	2.500	2-1/2-2C-OD	3502502B0		3502502W0	
	2.500	2-1/2-3C-OD	3502503B0		3502503W0	
2-1/2" Pipe	2.875	2-1/2-2C	3502872B0		3502872W0	
	2.875	2-1/2-3C	3502873B0		3502873W0	
	2.875	2-1/2-4C	3502874B0		3502874W0	
2-3/4" Tubing	2.750	2-3/4-3C-OD	3502753B0		3502753W0	
3" Tubing	3.000	3-2C-OD	3503002B0		3503002W0	
	3.000	3-3C-OD	3503003B0		3503003W0	
	3.000	3-4C-OD	3503004B0		3503004W0	
3" Pipe	3.500	3-2C	3503502B0		3503502W0	
	3.500	3-3C	3503503B0		3503503W0	
	3.500	3-4C	3503504B0		3503504W0	
3-1/4" Tubing	3.250	3-1/4-2C-OD	3503252B0		3503252W0	
	3.250	3-1/4-3C-OD	3503253B0		3503253W0	
	3.250	3-1/4-4C-OD	3503254B0		3503254W0	
3-1/2" Tubing	3.500	3-2C	3503502B0		3503502W0	
	3.500	3-3C	3503503B0		3503503W0	
	3.500	3-4C	3503504B0		3503504W0	

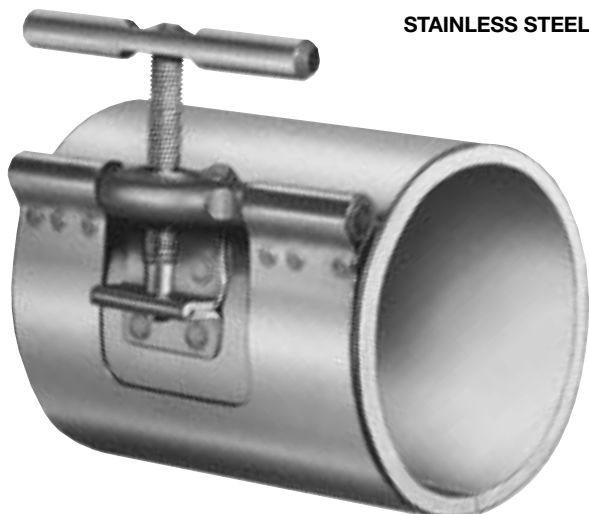
- (1) Same price applies for couplings with red rubber gaskets.
 * Neoprene
- Prices of other types of gasket material or for sizes not shown are available on request.
 - All shipments F.O.B. Erie, PA.
 - Prices subject to change without notice.

How To Order:

1. Specify: "REPLACEMENT GASKETS for Morris Compression Couplings."
2. Give coupling code number and O.D. of pipe or tube.
3. Give the length of original coupling (or number of bolts).
4. Specify material: Black or white neoprene, red rubber.
5. If you require grounding strips, specify aluminum or stainless steel.

Tubing or Pipe Size	O.D. Tubing Pipe	Morris Coupling Code No.	LIST PRICE			
			BLACK Gasket*		WHITE Gasket*	
			PIC No.	Price ⁽¹⁾	PIC No.	Price
3-1/2" Pipe	4.000	3-1/2-2C	3504002B0		3504002W0	
	4.000	3-1/2-3C	3504003B0		3504003W0	
	4.000	3-1/2-4C	3504004B0		3504004W0	
3-3/4" Tubing	3.750	3-3/4-3C-OD	3503753B0		3503753W0	
	3.750	3-3/4-4C-OD	3503754B0		3503754W0	
4" Tubing	4.000	3-1/2-2C	3504002B0		3504002W0	
	4.000	3-1/2-3C	3504003B0		3504003W0	
	4.000	3-1/2-4C	3504004B0		3504004W0	
4" Pipe	4.500	4-2C	3504502B0		3504502W0	
	4.500	4-3C	3504503B0		3504503W0	
	4.500	4-4C	3504504B0		3504504W0	
4-1/4" Tubing	4.250	4-1/4-3C-OD	3504253B0		3504253W0	
	4.250	4-1/4-4C-OD	3504254B0		3504254W0	
4-1/2" Tubing	4.500	4-2C	3504502B0		3504502W0	
	4.500	4-3C	3504503B0		3504503W0	
	4.500	4-4C	3504504B0		3504504W0	
4-1/2" Pipe	5.000	4-1/2-2C	3505002B0		3505002W0	
	5.000	4-1/2-3C	3505003B0		3505003W0	
	5.000	4-1/2-4C	3505004B0		3505004W0	
4-3/4" Tubing	4.750	4-3/4-3C-OD	3504753B0		3504753W0	
	4.750	4-3/4-4C-OD	3504754B0		3504754W0	
5" Tubing	5.000	4-1/2-2C	3505002B0		3505002W0	
	5.000	4-1/2-3C	3505003B0		3505003W0	
	5.000	4-1/2-4C	3505004B0		3505004W0	
5" Pipe	5.563	5-2C	3505562B0		3505562W0	
	5.563	5-3C	3505563B0		3505563W0	
	5.563	5-4C	3505564B0		3505564W0	
5-1/4" Tubing	5.250	5-1/4-3C-OD	3505253B0		3505253W0	
5-1/2" Tubing	5.500	5-1/2-3C-OD	3505503B0		3505503W0	
	5.500	5-1/2-4C-OD	3505504B0		3505504W0	
5-3/4" Tubing	5.750	5-3/4-3C-OD	3505753B0		3505753W0	
	5.750	5-3/4-4C-OD	3505754B0		3505754W0	
6" Tubing	6.000	6-2C-OD	3506002B0		3506002W0	
	6.000	6-3C-OD	3506003B0		3506003W0	
	6.000	6-4C-OD	3506004B0		3506004W0	
	6.000	6-5C-OD	3506005B0		3506005W0	
6" Pipe	6.625	6-2C	3506622B0		3506622W0	
	6.625	6-3C	3506623B0		3506623W0	
	6.625	6-4C	3506624B0		3506624W0	
	6.625	6-5C	3506625B0		3506625W0	
6-1/4" Tubing	6.250	6-1/4-3C-OD	3506253B0		3506253W0	
	6.250	6-1/4-4C-OD	3506254B0		3506254W0	
6-1/2" Tubing	6.500	6-1/2-3C-OD	3506503B0		3506503W0	
	6.500	6-1/2-4C-OD	3506504B0		3506504W0	
6-3/4" Tubing	6.750	6-3/4-3C-OD	3506753B0		3506753W0	
	6.750	6-3/4-4C-OD	3506754B0		3506754W0	
7" Tubing	7.000	7-3C-OD	3507003B0		3507003W0	
	7.000	7-4C-OD	3507004B0		3507004W0	
	7.000	7-5C-OD	3507005B0		3507005W0	
7-1/4" Tubing	7.250	7-1/4-3C-OD	3507253B0		3507253W0	
7-1/2" Tubing	7.500	7-1/2-3C-OD	3507503B0		3507503W0	
	7.500	7-1/2-4C-OD	3507504B0		3507504W0	
7-3/4" Tubing	7.750	7-3/4-3C-OD	3507753B0		3507753W0	
8" Tubing	8.000	8-2C-OD	3508002B0		3508002W0	
	8.000	8-3C-OD	3508003B0		3508003W0	
	8.000	8-4C-OD	3508004B0		3508004W0	
	8.000	8-5C-OD	3508005B0		3508005W0	
8" Pipe	8.625	8-2C	3508622B0		3508622W0	
	8.625	8-3C	3508623B0		3508623W0	
	8.625	8-4C	3508624B0		3508624W0	
	8.625	8-5C	3508625B0		3508625W0	
9" Tubing	9.000	9-3C-OD	3509003B0		3509003W0	
	9.000	9-4C-OD	3509004B0		3509004W0	
10" Tubing	10.000	10-3C-OD	3510003B0		3510003W0	
	10.000	10-4C-OD	3510004B0		3510004W0	
	10.000	10-5C-OD	3510005B0		3510005W0	
10" Pipe	10.750	10-3C	3510753B0		3510753W0	
	10.750	10-4C	3510754B0		3510754W0	
	10.750	10-5C	3510755B0		3510755W0	
12" Tubing	12.000	12-3C-OD	3512003B0		3512003W0	
	12.000	12-4C-OD	3512004B0		3512004W0	
	12.000	12-5C-OD	3512005B0		3512005W0	
12" Pipe	12.750	12-3C	3512753B0		3512753W0	
	12.750	12-4C	3512754B0		3512754W0	
	12.750	12-5C	3512755B0		3512755W0	

Quickon II Couplers



STAINLESS STEEL



FOR PNEUMATIC OR VACUUM CONVEYING SYSTEMS

Morris Quickon II Couplers can be installed or removed with a twist of the wrist. No tools or special skills needed. The positive-locking system turns easily to seal or to compensate for normal O.D. pipe or tubing tolerances.

This in-line Coupler is ideal for use where fast takedown and reassembly of lines is essential; reduced coupler weight is desirable; a line or system is frequently modified or wrap-around installation is necessary.

QUICKON II COUPLER

O.D. Size (in.)	Code No.	Wt. (lbs.)	LIST PRICE	
			Food-Grade Gum Gasket	
			PIC No.	Price
1.500	1501	.58	2401501G2	
1.660	1661	.60	2401661G2	
1.750	1751	.62	2401751G2	
1.900	1901	.65	2401901G2	
2.000	2001	.68	2402001G2FG	
2.125	2121	.70	2402121G2	
2.250	2251	.71	2402251G2	
2.375	2371	.74	2402371G2	
2.500	2501	.77	2402501G2FG	
2.750	2751	.80	2402751G2	
2.875	2871	.84	2402871G2	
3.000	3001	.88	2403001G2FG	
3.250	3251	.97	2403251G2	
3.500	3501	1.06	2403501G2FG	
3.750	3751	1.15	2403751G2	
4.000	4001	1.25	2404001G2FG	
4.250	4251	1.32	2404251G2	
4.500	4501	1.40	2404501G2FG	
5.000	5001	1.55	2405001G2FG	
5.563	5561	1.63	2405561G2	
6.000	6001	1.72	2406001G2FG	
6.250	6251	1.78	2406251G2	
6.625	6621	1.82	2406621G2	
8.000	8001	2.25	2408001G2FG	
8.625	8621	2.38	2408621G2	
9.000	9001	2.45	2409001G2	
10.000	10001	2.65	2410001G2	

STANDARD QUICKON II COUPLERS LISTED ARE 4" IN LENGTH.

DUAL QUICKON II COUPLER

O.D. Size (in.)	Code No.	LIST PRICE	
		Food-Grade Gum Gasket	
		PIC No.	Price
4.000	2-4001	2804002G2	
4.500	2-4501	2804502G2	
5.000	2-5001	2805002G2	
6.000	2-6001	2806002G2	
6.625	2-6621	2806622G2	
8.000	2-8001	2808002G2	
8.625	2-8621	2808622G2	
10.000	2-10001	2810002G2	
10.750	2-10751	2810752G2	
12.000	2-12001	2812002G2	
12.750	2-12751	2812752G2	

DUAL QUICKON II COUPLERS LISTED ARE 9-1/2" IN LENGTH.

Specifications

All stainless-steel construction including band, strike plate, handle screw and yoke. Gasket is abrasion-resistant, gum rubber attached to band. Static-conducting grounding strip included on request.

Order by O.D. Size, Code No., and Gasket.

Request prices on special sizes not shown.

Prices subject to change without notice.

For Prices and Delivery

Call Toll Free: 1-800-426-1579

Toll-Free Fax: 1-800-545-1399

E-mail: sales@morriscoupling.com

internet: www.morriscoupling.com



2240 W. 15th St., Erie, PA 16505
Phone: 814-459-1741

Morris Gripper™ Couplers



The GRIPPER was devised as a quick coupler for dry, bulk transport, tank tubing. This unique coupling just slides onto the tubing or wraps around it and is tightened by hand in seconds, but it provides better support than rubber hose and band clamps. The GRIPPER's positive-sealing gum gaskets allow for tube and pipe variations. And, because it's made of 100% stainless steel, it will not corrode due to harsh weather or road conditions. Silicone gaskets that comply with applicable FDA requirements are available upon request.

Single Wingnut Coupler

A O.D. Size (in.)	Code No.	Wt. (lbs.)	LIST PRICE	
			Food-Grade Gum Gasket	
			Gripper PIC No.	Gripper Price
1.500	1501	0.58	2401501G2MB	
1.660	1661	0.60	2401661G2MB	
1.750	1751	0.62	2401751G2MB	
1.900	1901	0.65	2401901G2MB	
2.000	2001	0.68	2402001G2FGMB	
2.125	2121	0.70	2402121G2MB	
2.250	2251	0.71	2402251G2MB	
2.375	2371	0.74	2402371G2MB	
2.500	2501	0.77	2402501G2FGMB	
2.750	2751	0.80	2402751G2MB	
2.875	2871	0.84	2402871G2MB	
3.000	3001	0.88	2403001G2FGMB	
3.250	3251	0.97	2403251G2MB	
3.500	3501	1.06	2403501G2FGMB	
3.750	3751	1.15	2403751G2MB	
4.000	4001	1.25	2404001G2FGMB	
4.250	4251	1.32	2404251G2MB	
4.500	4501	1.40	2404501G2FGMB	
5.000	5001	1.55	2405001G2FGMB	
5.563	5561	1.63	2405561G2MB	
6.000	6001	1.72	2406001G2FGMB	
6.250	6251	1.78	2406251G2MB	
6.625	6621	1.82	2406621G2MB	
8.000	8001	2.25	2408001G2FGMB	
8.625	8621	2.38	2408621G2MB	
9.000	9001	2.45	2409001G2MB	
10.000	10001	2.65	2410001G2MB	

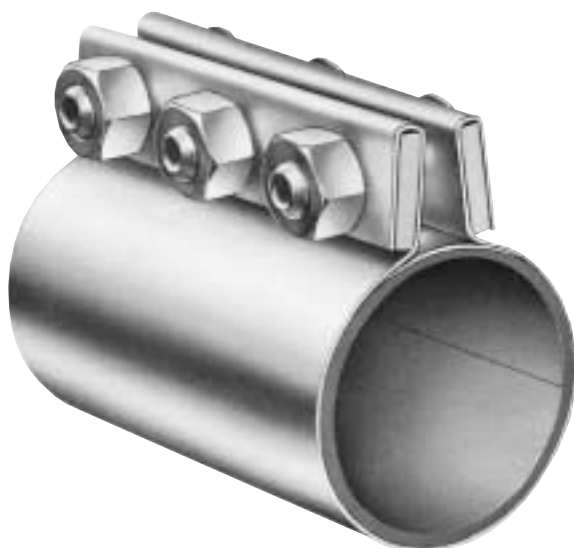


Double Wingnut Coupler

B O.D. Size (in.)	Code No.	LIST PRICE	
		Food-Grade Gum Gasket	
		Gripper PIC No.	Gripper Price
4.000	2-4001	2804002G2MB	
4.500	2-4501	2804502G2MB	
5.000	2-5001	2805002G2MB	
6.000	2-6001	2806002G2MB	
6.625	2-6621	2806622G2MB	
8.000	2-8001	2808002G2MB	
8.625	2-8621	2808622G2MB	
10.000	2-10001	2810002G2MB	
10.750	2-10751	2810752G2MB	
12.000	2-12001	2812002G2MB	
12.750	2-12751	2812752G2MB	



All (A) Round Stainless-Steel Couplings/Repair Clamps



- **To Join System Piping**
- **To Repair Piping**

This spanner-type combination coupling and repair clamp offers many advantages. It is quickly and easily installed by slipping on, or wrapping around, the pipe. This is because the spanner and gasket are permanently attached to the band, creating, in effect, a one-piece coupling/clamp. The thick, resilient, Neoprene gasket assures a positive butt-joint seal. It accommodates surface variations such as encountered in cast iron and fiberglass piping. The spanner design eliminates the need for a separate inner sleeve. The stainless steel All (A) Round Coupling/Repair Clamp offers a lightweight and economical unit which is strong and durable.

Nom. Pipe Size	Morris Code No.	Length	No. of Bolts	Size of Bolts	Gasket Thickness	LIST PRICE COMPLETE		
						With Carbon Steel Zinc Plated Bolts		With #304 Stainless Bolts
						PIC No.	Price	Price
2"	2 x 6-IP	6"	3	1/2 x 1-3/4	1/8"	8102373B0		
	2 x 8-IP	8"	4	1/2 x 1-3/4	1/8"	8102374B0		
	2 x 10-IP	10"	5	1/2 x 1-3/4	1/8"	8102375B0		
	2 x 12-IP	12"	6	1/2 x 1-3/4	1/8"	8102376B0		
3"	3 x 6-IP	6"	3	5/8 x 2	3/16"	8103503B0		
	3 x 8-IP	8"	4	5/8 x 2	3/16"	8103504B0		
	3 x 10-IP	10"	5	5/8 x 2	3/16"	8103505B0		
	3 x 12-IP	12"	6	5/8 x 2	3/16"	8103506B0		
4"	4 x 6-IP	6"	3	5/8 x 2	3/16"	8104503B0		
	4 x 8-IP	8"	4	5/8 x 2	3/16"	8104504B0		
	4 x 10-IP	10"	5	5/8 x 2	3/16"	8104505B0		
	4 x 12-IP	12"	6	5/8 x 2	3/16"	8104506B0		
6"	6 x 6-IP	6"	3	5/8 x 2	1/4"	8106623B0		
	6 x 8-IP	8"	4	5/8 x 2	1/4"	8106624B0		
	6 x 10-IP	10"	5	5/8 x 2	1/4"	8106625B0		
	6 x 12-IP	12"	6	5/8 x 2	1/4"	8106626B0		
8"	8 x 6-IP	6"	2	3/4 x 3	1/4"	8108622B0		
	8 x 8-IP	8"	3	3/4 x 3	1/4"	8108623B0		
	8 x 10-IP	10"	4	3/4 x 3	1/4"	8108624B0		
	8 x 12-IP	12"	5	3/4 x 3	1/4"	8108625B0		
	8 x 16-IP	16"	6	3/4 x 3	1/4"	8108626B0		
10"	10 x 8-IP	8"	3	3/4 x 3	1/4"	8110753B0		
	10 x 10-IP	10"	4	3/4 x 3	1/4"	8110754B0		
	10 x 12-IP	12"	5	3/4 x 3	1/4"	8110755B0		
	10 x 16-IP	16"	6	3/4 x 3	1/4"	8110756B0		
12"	12 x 8-IP	8"	3	3/4 x 3	1/4"	8112753B0		
	12 x 10-IP	10"	4	3/4 x 3	1/4"	8112754B0		
	12 x 12-IP	12"	5	3/4 x 3	1/4"	8112755B0		
	12 x 16-IP	16"	6	3/4 x 3	1/4"	8112756B0		



For nominal pipe sizes over 12", request prices and specifications for Morris Double-Spanner Combination Couplings/Repair Clamps.

Specifications:

Band and spanner 304 stainless steel.
Butt joint Neoprene gasket.
Bar washers zinc-plated steel.
Carriage-type bolts and heavy hex nuts are zinc-plated carbon steel or 304 stainless steel.
For other materials to meet special needs, consult factory.

To Order:

Order by pipe size and Morris Code Number PLUS outside diameter and kind of pipe or duct. THIS IS IMPORTANT TO YOU. Failure to do this will result in delay in shipping your order until we have this information.

All shipments F.O.B. Erie, PA.

Prices subject to change without notice.

For Prices and Delivery

Call Toll Free: 1-800-426-1579

Toll-Free Fax: 1-800-545-1399

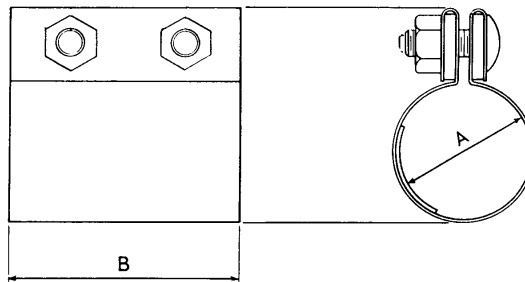
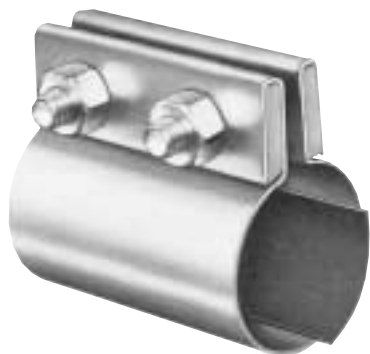
E-mail: sales@morriscoupling.com

internet: www.morriscoupling.com



2240 W. 15th St., Erie, PA 16505
Phone: 814-459-1741

Single-Type Repair Clamp



The **Morris Single-Type Repair Clamp** is suitable for the quick repair of minor leaks in all types of pipe. It consists of an outer shell of zinc-plated steel, together with a single-strip neoprene gasket. When other than steel clamps and neoprene gaskets are required, specifications should be stated on special order. Prices on other than stock sizes are available on request.

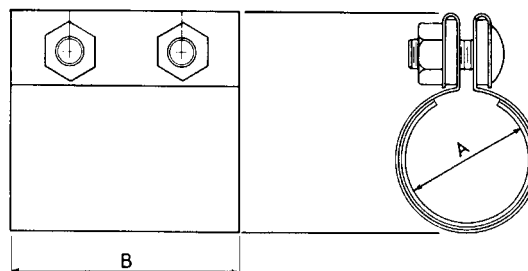
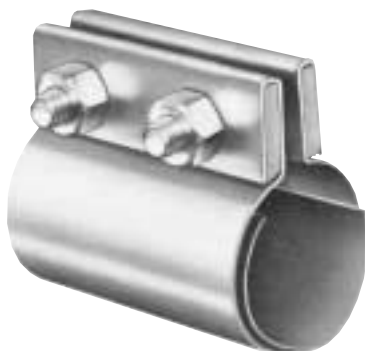
Nominal Pipe Size (I.P.S.)	O.D. of Pipe (A) (in.)	Morris Clamp Code No.	Clamp Length (B)	No. of Bolts	Size of Bolts	Weight (lbs.)	LIST PRICE	
							BLACK Gasket*	
							PIC No.	Price
1/2"	.840	1/2-2S	2"	2	5/16 x 1-1/4	.41	2000841B0	
	1.050	3/4-2S	2"	2	5/16 x 1-1/4	.45	2001051B0	
1"	1.315	1-1S	2"	1	1/2 x 1-3/4	.62	2001311B0	
	1.315	1-2S	4"	2	1/2 x 1-3/4	1.2	2001312B0	
1-1/4"	1.660	1-1/4-1S	2"	1	1/2 x 1-3/4	.75	2001661B0	
	1.660	1-1/4-2S	4"	2	1/2 x 1-3/4	1.5	2001662B0	
1-1/2"	1.900	1-1/2-1S	2"	1	1/2 x 1-3/4	.83	2001901B0	
	1.900	1-1/2-2S	4"	2	1/2 x 1-3/4	1.6	2001902B0	
2"	2.375	2-1S	2"	1	1/2 x 1-3/4	1.3	2002371B0	
	2.375	2-2S	4"	2	1/2 x 1-3/4	2.2	2002372B0	
	2.375	2-3S	6"	3	1/2 x 1-3/4	3.0	2002373B0	
	2.375	2-4S	8"	4	1/2 x 1-3/4	4.1	2002374B0	
2-1/2"	2.875	2-1/2-1S	2"	1	1/2 x 1-3/4	1.5	2002871B0	
	2.875	2-1/2-2S	4"	2	1/2 x 1-3/4	2.3	2002872B0	
	2.875	2-1/2-3S	6"	3	1/2 x 1-3/4	3.2	2002873B0	
	2.875	2-1/2-4S	8"	4	1/2 x 1-3/4	4.4	2002874B0	
3"	3.500	3-1S	2"	1	5/8 x 2	1.6	2003501B0	
	3.500	3-2S	4"	2	5/8 x 2	2.5	2003502B0	
	3.500	3-3S	6"	3	5/8 x 2	3.3	2003503B0	
	3.500	3-4S	8"	4	5/8 x 2	4.6	2003504B0	
3-1/2"	4.000	3-1/2-2S	4"	2	5/8 x 2	2.7	2004002B0	
	4.000	3-1/2-3S	6"	3	5/8 x 2	3.5	2004003B0	
	4.000	3-1/2-4S	8"	4	5/8 x 2	4.8	2004004B0	
	4.500	4-2S	4"	2	5/8 x 2	2.9	2004502B0	
4"	4.500	4-3S	6"	3	5/8 x 2	3.9	2004503B0	
	4.500	4-4S	8"	4	5/8 x 2	5.1	2004504B0	
	5.563	5-2S	4"	2	5/8 x 2	3.1	2005562B0	
5"	5.563	5-3S	6"	3	5/8 x 2	4.2	2005563B0	
	5.563	5-4S	8"	4	5/8 x 2	5.5	2005564B0	
	6.625	6-2S	4"	2	5/8 x 2	3.4	2006622B0	
6"	6.625	6-3S	6"	3	5/8 x 2	4.9	2006623B0	
	6.625	6-4S	8"	4	5/8 x 2	6.4	2006624B0	
	8.625	8-2S	6"	2	3/4 x 3	6.7	2008622B0	
8"	8.625	8-3S	8"	3	3/4 x 3	9.6	2008623B0	
	8.625	8-4S	10"	4	3/4 x 3	11.2	2008624B0	
	8.625	8-5S	12"	5	3/4 x 3	13.6	2008625B0	
	10.750	10-2S	6"	2	3/4 x 3	7.2	2010752B0	
10"	10.750	10-3S	8"	3	3/4 x 3	10.7	2010753B0	
	10.750	10-4S	10"	4	3/4 x 3	14.1	2010754B0	
	10.750	10-5S	12"	5	3/4 x 3	17.9	2010755B0	
	12.750	12-2S	6"	2	3/4 x 3	8.1	2012752B0	
12"	12.750	12-3S	8"	3	3/4 x 3	11.6	2012753B0	
	12.750	12-4S	10"	4	3/4 x 3	15.0	2012754B0	
	12.750	12-5S	12"	5	3/4 x 3	18.8	2012755B0	
	14.000	14-2S	6"	2	3/4 x 3	9.0	2014002B0	
14"	14.000	14-3S	8"	3	3/4 x 3	12.5	2014003B0	
	14.000	14-4S	10"	4	3/4 x 3	15.9	2014004B0	
	14.000	14-5S	12"	5	3/4 x 3	19.7	2014005B0	

All shipments F.O.B. Erie, PA

Prices subject to change without notice.

*Neoprene

Double-Type Repair Clamp



The **Morris Double-Type Repair Clamp** is suitable for use on all classifications of piping repair work. It contains an inner sleeve as well as a gasket that covers two-thirds of the circumference of the pipe; may be used individually or in series.

Shell and sleeve are of heavy, zinc-plated steel – gasket is black neoprene. Other materials available on special order. Request prices on sizes not listed.

Nominal Pipe Size (I.P.S.)	O.D. of Pipe (A) (in.)	Morris Clamp Code No.	Clamp Length (B)	No. of Bolts	Size of Bolts	Weight (lbs.)	LIST PRICE	
							BLACK Gasket*	
							PIC No.	Price
1/2"	.840	1/2-2D	2"	2	5/16 x 1-1/4	.5	2100842B0	
	1.050	3/4-2D	2"	2	5/16 x 1-1/4	.54	2101052B0	
1"	1.315	1-2D	4"	2	1/2 x 1-3/4	1.6	2101312B0	
	1.600	1-1/4-2D	4"	2	1/2 x 1-3/4	1.7	2101602B0	
	1.900	1-1/2-2D	4"	2	1/2 x 1-3/4	1.8	2101902B0	
2"	2.375	2-2D	4"	2	1/2 x 1-3/4	2.3	2102372B0	
	2.375	2-3D	6"	3	1/2 x 1-3/4	3.3	2102373B0	
	2.375	2-4D	8"	4	1/2 x 1-3/4	4.6	2102374B0	
2-1/2"	2.875	2-1/2-2D	4"	2	1/2 x 1-3/4	3.6	2102872B0	
	2.875	2-1/2-3D	6"	3	1/2 x 1-3/4	3.8	2102873B0	
	2.875	2-1/2-4D	8"	4	1/2 x 1-3/4	5.0	2102874B0	
3"	3.500	3-2D	4"	2	5/8 x 2	2.9	2103502B0	
	3.500	3-3D	6"	3	5/8 x 2	4.2	2103503B0	
	3.500	3-4D	8"	4	5/8 x 2	5.6	2103504B0	
3-1/2"	4.000	3-1/2-2D	4"	2	5/8 x 2	3.2	2104002B0	
	4.000	3-1/2-3D	6"	3	5/8 x 2	4.5	2104003B0	
	4.000	3-1/2-4D	8"	4	5/8 x 2	5.9	2104004B0	
4"	4.500	4-2D	4"	2	5/8 x 2	3.5	2104502B0	
	4.500	4-3D	6"	3	5/8 x 2	4.8	2104503B0	
	4.500	4-4D	8"	4	5/8 x 2	6.1	2104504B0	
4-1/2"	5.000	4-1/2-2D	4"	2	5/8 x 2	3.8	2105002B0	
	5.000	4-1/2-3D	6"	3	5/8 x 2	5.1	2105003B0	
	5.000	4-1/2-4D	8"	4	5/8 x 2	6.3	2105004B0	
5"	5.563	5-2D	4"	2	5/8 x 2	4.1	2105562B0	
	5.563	5-3D	6"	3	5/8 x 2	5.4	2105563B0	
	5.563	5-4D	8"	4	5/8 x 2	6.5	2105564B0	
6"	6.625	6-2D	4"	2	5/8 x 2	4.7	2106622B0	
	6.625	6-3D	6"	3	5/8 x 2	6.0	2106623B0	
	6.625	6-4D	8"	4	5/8 x 2	7.1	2106624B0	
	6.625	6-5D	10"	5	5/8 x 2	8.3	2106625B0	
8"	8.625	8-2D	6"	2	3/4 x 3	8.8	2108622B0	
	8.625	8-3D	8"	3	3/4 x 3	12.8	2108623B0	
	8.625	8-4D	10"	4	3/4 x 3	16.4	2108624B0	
	8.625	8-5D	12"	5	3/4 x 3	19.9	2108625B0	
10"	10.750	10-2D	6"	2	3/4 x 3	10.8	2110752B0	
	10.750	10-3D	8"	3	3/4 x 3	14.7	2110753B0	
	10.750	10-4D	10"	4	3/4 x 3	18.4	2110754B0	
	10.750	10-5D	12"	5	3/4 x 3	22.2	2110755B0	
12"	12.750	12-2D	6"	2	3/4 x 3	13.1	2112752B0	
	12.750	12-3D	8"	3	3/4 x 3	17.7	2112753B0	
	12.750	12-4D	10"	4	3/4 x 3	22.3	2112754B0	
	12.750	12-5D	12"	5	3/4 x 3	26.8	2112755B0	
14"	14.000	14-3D	8"	3	3/4 x 3	18.8	2114003B0	
	14.000	14-4D	10"	4	3/4 x 3	23.6	2114004B0	
	14.000	14-5D	12"	5	3/4 x 3	28.5	2114005B0	

All shipments F.O.B. Erie, PA

Prices subject to change without notice.

*Neoprene

For Prices and Delivery

Call Toll Free: 1-800-426-1579
 Toll-Free Fax: 1-800-545-1399
 E-mail: sales@morriscoupling.com
 internet: www.morriscoupling.com



2240 W. 15th St., Erie, PA 16505
 Phone: 814-459-1741

Morris Polyurethane Flexible Hose

Morris proudly introduces a new line of high-quality urethane hose. Our new MORR-LITE™ hose incorporates the long life and wear resistance of urethane while maintaining maximum flexibility and ease of handling. The use of the most modern manufacturing techniques results in a perfectly clear and concentric hose, ideal for your material-handling applications.

In addition to our new hose, Morris will continue to offer its heavy-duty MORR-THANE™ and MORR-TUFF™ hoses for your more difficult applications. Morris also offers clamps to help complete your hose installation.



MORR-LITE™ Economical Food-Grade Polyurethane Hose

Our polyurethane material-handling hose offers superior abrasion resistance and an ultra-smooth bore for excellent material flow. The clear-polyurethane tube enables the user to visually monitor material flow. The rigid helix serves as reinforcement for this extremely flexible hose. This hose complies with FDA standards. Operating temperature ranges from -13°F to 185°F.

MORR-LITE Number	Nominal I.D. (inch)	Working Pressure (psi)	Vacuum Rating (inch HG)	Bend Radius (inch)	Weight (lbs./ft.)	Standard Coils (ft.)
ML150	1.5	15	14.56	1.5	0.156	50
ML175	1.75	15	11.65	1.75	0.190	50
ML200	2	15	11.65	2	0.213	50
ML250	2.5	15	11.65	2.5	0.291	50
ML300	3	15	11.65	3	0.376	50
ML400	4	15	11.65	4	0.566	50
ML500	5	15	8.74	5	0.680	50
ML600	6	15	8.74	6	0.930	50

MORR-LITE™ W Food-Grade Polyurethane Hose with Static-Dissipating Ground Wire

This is the same durable, lightweight and flexible hose listed above. MORR-LITE W contains an integral ground wire to assure a positive ground where static build-up is a concern.

MORR-LITE W Number	Nominal I.D. (inch)	Working Pressure (psi)	Vacuum Rating (inch HG)	Bend Radius (inch)	Weight (lbs./ft.)	Standard Coils (ft.)
MLW150	1.5	15	14.56	1.5	0.156	50
MLW175	1.75	15	11.65	1.75	0.190	50
MLW200	2	15	11.65	2	0.213	50
MLW250	2.5	15	11.65	2.5	0.291	50
MLW300	3	15	11.65	3	0.376	50
MLW400	4	15	11.65	4	0.566	50
MLW500	5	15	8.74	5	0.680	50
MLW600	6	15	8.74	6	0.930	50

Ingredients used to manufacture MORR-LITE hose comply with FDA requirements.

Morris PVC Flexible Hose

Four distinct types to meet varying application needs.

Morris offers material-handling hoses to meet the wide variety of bulk conveying system requirements which may be encountered. Flexible hose is suitable for both vacuum and pressure-discharge service.

Morris hoses are ideal for conveying pellets, granular material and powdery substances. Flexible hose offers a fast, convenient method of finishing a pneumatic conveying system.

Morris also offers clamps to help complete your installation.



MORR-CLEAR™ Economical Food-Grade PVC Transfer Hose

Our most popular material-handling hose features a clear PVC tube with a smooth bore to provide excellent material flow rates. A clear, rigid, external PVC helix reinforcement enables user to visually monitor flow of material.

High-density PVC materials are known for their ability to withstand abrasion. Hose construction provides good flexibility with light weight. Hose carries FDA "3A Dairy" rating. Operating temperature range from 10°F to 150°F.

MORR-CLEAR Number	I.D. (inch)	O.D. (inch)	Working Pressure (psi)	Vacuum Rating (inch HG)	Bend Radius (inch)	Weight (lbs./ft.)	Standard Coils (ft.)
MC150	1.5	1.81	50	29	3.2	0.31	100, 50, 25
MC45M	45mm	2.05	40	29	3.2	0.42	100, 50, 25
MC200	2	2.43	40	29	3.2	0.42	100, 50, 25
MC250	2.5	3.00	35	29	4.5	0.65	100, 50, 25
MC300	3	3.58	35	29	6.5	0.85	100, 50, 25
MC400	4	4.68	35	15	10.4	1.30	100, 50, 25
MC500	5	5.65	30	10	21.0	1.50	50, 25
MC600	6	6.72	30	10	29.4	2.20	25

MORR-CLEAR™ STATIC Food-Grade PVC Hose with Static-Dissipating Ground Wire

This is the same durable lightweight hose described above. The only difference is MORR-CLEAR STATIC contains an integral wire to assure a positive ground where static build-up is a concern.

MORR-CLEAR STATIC Number	I.D. (inch)	O.D. (inch)	Working Pressure (psi)	Vacuum Rating (inch HG)	Bend Radius (inch)	Weight (lbs./ft.)	Standard Coils (ft.)
MS150	1.5	1.81	50	29	3.2	0.31	100, 50, 25
MS45M	45mm	2.05	40	29	3.2	0.42	100, 50, 25
MS200	2	2.43	40	29	3.2	0.42	100, 50, 25
MS250	2.5	3.00	35	29	4.5	0.65	100, 50, 25
MS300	3	3.58	35	29	6.5	0.85	100, 50, 25
MS400	4	4.68	35	15	10.4	1.30	100, 50, 25
MS500	5	5.65	30	10	21.0	1.50	50, 25
MC600	6	6.72	30	10	29.4	2.20	25

For Prices and Delivery

Call Toll Free: 1-800-426-1579

Toll-Free Fax: 1-800-545-1399

E-mail: sales@morriscoupling.com

internet: www.morriscoupling.com



2240 W. 15th St., Erie, PA 16505
Phone: 814-459-1741

Morris PVC Flexible Hose *continued*

MORR-THANE™ Extended Performance High-Density Polyurethane Transfer Hose

Hose is made from a high-density polyurethane formulation for extended life when handling abrasive materials. Hose has a smooth bore to provide excellent material flow rates. Corrugated construction provides good flexibility and light weight making hose easy to use. Hose remains flexible at sub-zero temperatures from -30°F to 150°F.

MORR-THANE Number	I.D. (inch)	O.D. (inch)	Working Pressure (psi)	Vacuum Rating (inch HG)	Bend Radius (inch)	Weight (lbs./ft.)	Standard Coils (ft.)
MT150	1.5	1.86	75	29	3.9	0.42	100, 50, 25
MT200	2	2.42	65	29	5.5	0.68	100, 50, 25
MT250	2.5	3.04	50	29	7.0	1.08	100, 50, 25
MT300	3	3.64	50	29	8.0	1.35	100, 50, 25
MT400	4	4.77	50	29	14.0	2.33	100, 50, 25
MT500	5	5.75	45	29	20.0	2.95	50, 25
MT600	6	7.00	35	25	25.0	3.44	50, 25
MT800	8	9.20	25	25	48.0	6.48	20

Standard MORR-THANE is blue. Upon request, it is available clear with static wire. Contact Erie for pricing.

MORR-TUFF™ Material Hose For Severe Service

MORR-TUFF is specifically designed for unloading pellets from rail cars, handling sand blast grit, and the transfer of grain and other severe applications.

MORR-TUFF is a blend of Nitrile, polyurethane and PVC that makes it flexible, lightweight and easy to handle – even in the large sizes. Compared to rubber and metal hoses, MORR-TUFF offers a low-cost alternative. The outer black cover is static dissipating and ozone resistant. Operating temperature from -30°F to 150°F.

MORR-TUFF Number	I.D. (inch)	O.D. (inch)	Working Pressure (psi)	Vacuum Rating (inch HG)	Bend Radius (inch)	Weight (lbs./ft.)	Standard Coils (ft.)
MF150	1.5	1.94	45	29	3.2	0.42	100, 50, 25
MF200	2	2.50	45	29	5.5	0.65	100, 50, 25
MF300	3	3.77	40	29	7.5	1.31	100, 50, 25
MF400	4	4.85	40	29	11.0	1.70	100, 50, 25
MF500	5	5.95	40	29	15.0	2.60	100, 50, 25
MF600	6	7.08	40	29	20.0	3.21	50, 25
MF800	8	9.28	30	29	30.0	6.10	20

Morris Hose Accessories MORR-TITE™ Hose Clamps



Hose Clamps Galvanized steel saddle, nuts and washers with electroplated, spiral-thread bolts.

Spiral Double Bolt Clamps

Hose I.D.	Clockwise Part Numbers	Counterclockwise Part Numbers
1-1/2"	SDBC-0150R	SDBC-0150L
2"	SDBC-0200R	SDBC-0200L
2-1/2"	SDBC-0250R	SDBC-0250L
3"	SDBC-0300R	SDBC-0300L
4"	SDBC-0400R	SDBC-0400L
5"	SDBC-0500R	SDBC-0500L
6"	SDBC-0600R	SDBC-0600L
8"	SDBC-0800R	SDBC-0800L
10"	SDBC-1000R	SDBC-1000L

Features/Benefits

- Higher Grip Capacity
- Increase Holding Capacity
- Accommodates Both Clockwise and Counterclockwise Helix
- Smaller Size Design Envelope
- Optional Stainless-Steel Construction

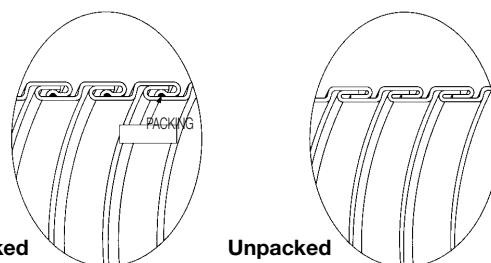
Morris Metal Flexible Hose



General Purpose Metal Flex Hose

This unlined general purpose hose features interlocked construction formed from a single metal strip. The balanced interlocking manufacturing process provides for maximum flexibility and longest service life. Pressure and vacuum capabilities may be easily enhanced by the selection of an appropriate packing material.

The unlined metal flex-hose is available in various alloys, metal strip thicknesses and in diameters from 1-1/2" through 8" I.D. Interlocked hose is available in any length and can be provided in bulk or fabricated assemblies.



Inside Dia. (In.)	Strip Thickness											
	10		15		18		25		30		20	
	Material Code G, S		Material Code G, S		Material Code G, S, 6		Material Code G, S		Material Code G		Material Code A	
	Weight Per Foot (Lbs.)	Min. Bend Radius (In.)	Weight Per Foot (Lbs.)	Min. Bend Radius (In.)	Weight Per Foot (Lbs.)	Min. Bend Radius (In.)	Weight Per Foot (Lbs.)	Min. Bend Radius (In.)	Weight Per Foot (Lbs.)	Min. Bend Radius (In.)	Weight Per Foot (Lbs.)	Min. Bend Radius (In.)
1-1/2	0.5	6	0.7	7	0.9	7	1.3	8	1.6	8		
2	0.7	8	1.0	9	1.1	9	1.7	10	2.0	11		
2-1/2	0.8	10	1.2	11	1.4	11	2.1	12	2.5	13		
3	1.0	11	1.4	12	1.6	13	2.5	15	2.9	15		
3-1/2	1.1	13	1.6	14	1.9	15	2.8	17	3.4	18		
4	1.2	15	1.8	16	2.2	17	3.2	19	3.8	20	0.9	19
4-1/2	1.4	17	2.0	18	2.4	19	3.6	21	4.3	22	1.0	21
5	1.5	19	2.2	20	2.7	21	4.0	24	4.7	25	1.1	24
6	1.8	22	2.7	24	3.2	25	4.7	28	5.6	29	1.3	28
7			3.1	28	3.7	30	5.5	33	6.5	34	1.5	33
8			3.5	32	4.2	34	6.2	37	7.4	39	1.8	37

NOTE: Other diameters are available on request.

Packings Available For Increased Pressure and Vacuum Capabilities		
Packing Type	Features	Max. Temp.
Cotton	Most Economical Packing	180°F
Elastomeric	Provides Maximum Pressure and Vacuum Capability	200°F
Copper	For High Temperatures	800°F
High Temperature Fiber	Specially Coated High Temperature Filament	1,000°F
Stainless Steel	For Extreme Temperatures	1,200°F

Morris Material Codes

Materials

- A – Aluminum (unpacked only)
- G – Galvanized Steel
- S – T304 Stainless Steel
- 6 – T316 Stainless Steel

Technical data is meant to be used as a guide. If more specific information is required, please contact the factory.

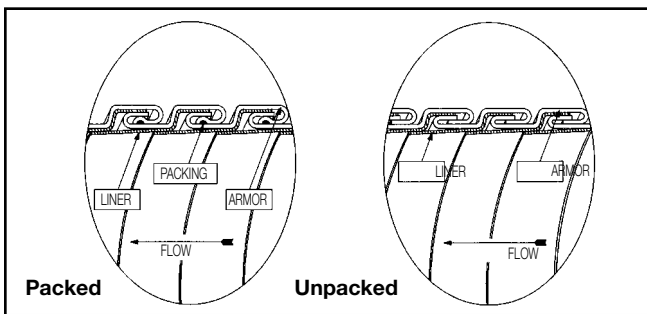
For Prices and Delivery

Call Toll Free: 1-800-426-1579
 Toll-Free Fax: 1-800-545-1399
 E-mail: sales@morriscoupling.com
 internet: www.morriscoupling.com



2240 W. 15th St., Erie, PA 16505
 Phone: 814-459-1741

Morris Metal Flexible Hose *continued*



Metal Smooth-Bore Flex Hose

This smooth-bore hose is ideally suited for dry-bulk pneumatic conveying. This hose is produced with a durable outer armor and a highly abrasion-resistant liner. A precision manufacturing process makes this hose unequalled in strength and flexibility. Pressure and vacuum capabilities may be easily enhanced by the selection of an appropriate packing material.

The smooth-bore hose is available in various alloys, metal strip thicknesses, and in diameters from 1-1/2" through 8" I.D. Smooth bore hose is available in any length and can be provided in bulk or fabricated assemblies.

Inside Dia. (In.)	Strip Thickness							
	15		18		25		A 20	
	Material Code G, S / C, S, 4	Min. Bend Radius (In.)	Material Code G, S, 6 / C, S, 4	Min. Bend Radius (In.)	Material Code G, S / C, S	Min. Bend Radius (In.)	Material Code A / S	Min. Bend Radius (In.)
1-1/2	1.2	7	1.3	8				
2	1.6	9	1.7	10				
2-1/2	1.9	11	2.2	12				
3	2.3	13	2.6	14	3.2	18		
3-1/2	2.6	15	3.0	16	3.7	21		
4	3.0	17	3.4	18	4.2	23	2.1	23
4-1/2	3.4	19	3.8	21	4.7	26	2.3	26
5	3.7	21	4.2	23	5.2	29	2.6	29
6	4.5	25	5.0	27	6.2	34	3.1	34
7	5.2	29	5.8	32	7.2	40	3.6	40
8	5.9	33	6.6	36	8.2	45	4.1	45

NOTE: Other diameters are available on request.

Packings Available For Increased Pressure and Vacuum Capabilities		
Packing Type	Features	Max. Temp.
Cotton	Most Economical Packing	180°F
Elastomeric	Provides Maximum Pressure and Vacuum Capability	200°F
Copper	For High Temperatures	800°F
High Temperature Fiber	Specially Coated High Temperature Filament	1,000°F
Stainless Steel	For Extreme Temperatures	1,200°F

Morris Material Codes

Armor Materials:

- A – Aluminum (unpacked only)
- G – Galvanized Steel
- S – T304 Stainless Steel
- 6 – T316 Stainless Steel

Liner Materials:

- S – T301 Stainless Steel
- 4 – T410 Stainless Steel
- C – Carbon Steel

Technical data is meant to be used as a guide. If more specific information is required, please contact the factory.



Morris Custom-Fabricated Interlocked Hose Assemblies

State-of-the-art fabricating methods, combined with an extensive selection of Morris Ever-Tite® couplings, enable Morris to effectively supply any configuration of hose assemblies.

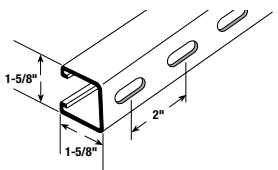
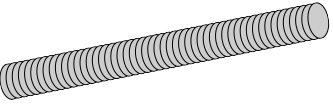
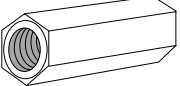
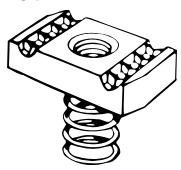



Typical end fittings include cam and groove connectors, pipe and tube nipples, flanges and hose shank adapters.

Maximum Steel and Fabrication Temperatures

Steel Type	Maximum Temperature	Fabrication Technique	Maximum Temperature
Stainless Steel	1,750°F	Welding	1,200°F
Carbon Steel	850°F	Brazing	700°F
Galvanized Steel	450°F	Epoxy	250°F

Note: Epoxy may be used with all metal types. However, applications are limited to 250°F service.

Installation Components

	Description	Part Number	Quantity	List Price Per Length
1-5/8" Channel 	<ul style="list-style-type: none"> • Slotted channel. • 9/16" x 1-1/8" slots on 2" center. • 12-gauge roll-formed strip • Available in 10' and 20' lengths. • Standard finish galvanized. 	61G158CHNL-10 10' length	1	
		61G158CHNL-20 20' length	1	
Threaded Rod 	<ul style="list-style-type: none"> • Electro galvanized. • Available in 3/8" and 1/2" diameter. • 6' and 12' lengths. 	61G38ROD06 3/8" rod; 6' length	1	
		61G38ROD12 3/8" rod; 12' length	1	
		61G12ROD06 1/2" rod; 6' length	1	
		61G12ROD12 1/2" rod; 12' length	1	
	Description	Part Number	Quantity Per Box	List Price Per Box
Rod Couplers 	<ul style="list-style-type: none"> • Couplers to accommodate 3/8" and 1/2" rod. 	61G38CPL 3/8" coupler	100	
		61G12CPL 1/2" coupler	100	
Spring Nut 	<ul style="list-style-type: none"> • 3/8" – 16 and 1/2" – 13 spring nuts 	61G38SPNUT 3/8" – 16 spring nut	100	
		61G12SPNUT 1/2" – 13 spring nut	100	
Hex Nut 	<ul style="list-style-type: none"> • 3/8" – 16 and 1/2" – 13 nuts 	61G38HXNUT 3/8" – 16 nut	100	
		61G12HXNUT 1/2" – 13 nut	100	
Flat Washer 	<ul style="list-style-type: none"> • 3/8" and 1/2" flat washers 	61G38FLWASH 3/8" flat washer	100	
		61G12FLWASH 1/2" flat washer	100	
Lock Washer 	<ul style="list-style-type: none"> • 3/8" and 1/2" lock washers 	61G38LKWASH 3/8" lock washer	100	
		61G12LKWASH 1/2" lock washer	100	

For Prices and Delivery

Call Toll Free: 1-800-426-1579

Toll-Free Fax: 1-800-545-1399

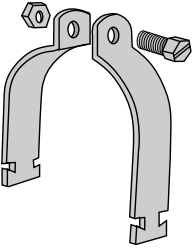
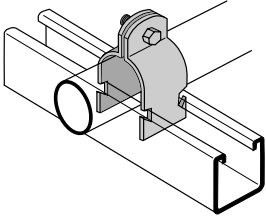
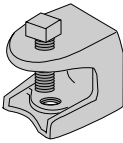
E-mail: sales@morriscoupling.com

internet: www.morriscoupling.com



2240 W. 15th St., Erie, PA 16505
Phone: 814-459-1741

Installation Components *continued*

	Description	Part Number	Quantity Per Box	List Price Per Box
Pipe Clamp 	<ul style="list-style-type: none"> Galvanized. Slotted hex-head screw and nut included. 	61G23CLMP 2" pipe	50	
		61G27CLMP 2-1/2" pipe	50	
		61G35CLMP 3" pipe	50	
		61G40CLMP 3-1/2" pipe	25	
		61G45CLMP 4" pipe	25	
		61G558CLMP 5" pipe	25	
		61G658CLMP 6" pipe	25	
		61G858CLMP 8" pipe	25	
Tube Clamp 	<ul style="list-style-type: none"> Galvanized. Slotted hex-head screw and nut included. 	61G15CLMP 1-1/2" tube	100	
		61G20CLMP 2" tube	50	
		61G21CLMP 2-1/8" tube	50	
		61G22CLMP 2-1/4" tube	50	
		61G25CLMP 2-1/2" tube	50	
		61G30CLMP 3" tube	50	
		61G35CLMP 3-1/2" tube	50	
		61G40CLMP 4" tube	25	
		61G45CLMP 4-1/2" tube	25	
		61G50CLMP 5" tube	25	
		61G60CLMP 6" tube	25	
		61G80CLMP 8" tube	25	
Beam Clamp 	<ul style="list-style-type: none"> With set screw for 3/8" and 1/2" rod. Standard finish galvanized. 	61G20BMCLP 3/8" beam clamp	10	
		61G25BMCLP 1/2" beam clamp	10	

NOTES:

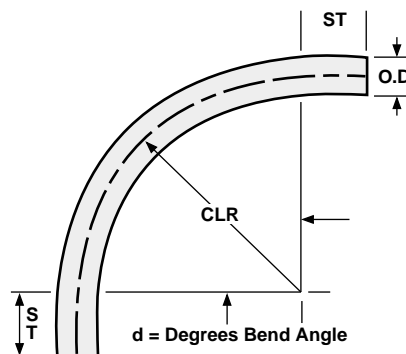
- All prices for channel and threaded rod are list per piece as indicated. Standard finish galvanized.
- Clamps, coupler and hardware items are sold in box quantity only. Box quantities are indicated for each item. Standard finish electro galvanized.
- Installation components are non-returnable.
- Prices F.O.B. Knoxville, TN.

Pipe and Tube Bends for pneumatic systems, short and long radius

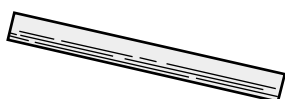
Tube Bending Capabilities

Pipe and tube bends of up to 180° are readily available in aluminum, stainless, carbon steel and galvanized in the sizes listed. Other centerline radii are available but not shown. Special shapes, 'U' bends, offsets, and bifurcated bends available upon request.

Morris tube bends are manufactured in our Knoxville, Tennessee, Plant.



Morris Pipe and Tubing Straights



Straight lengths of pipe and tubing are available in carbon steel, aluminum, and stainless – 1-1/2" O.D. thru 10" pipe in a variety of wall thicknesses.

ORDER BENDS by O.D., wall thickness, alloy, degree of bend, centerline radius and tangent.

WALL THICKNESS: 16 ga. (.063), 14 ga. (.083), and 11 ga. (.120) in tubing. Schedules 5, 10 and 40 pipe. Other wall thicknesses on request.

*Carbon Steel, Schedule 40 Only.

MATERIALS: Aluminum is 6063-T1 extruded. Stainless is T304 ASTM A312 for Pipe and T304 ASTM A249 for tubing. Carbon steel ASTM A53 for pipe; A513 for tubing. Galvanized A53 for galvanized coated. Pipe and A513 for galvanized-coated tubing.

Tube Size	Pipe Size	Outside Diameter		Common Centerline Radii (CLR) Inches	Std. Tangent (ST)
		inches	mm		
1"		1.0	25.4	3, 4, 6, 12	4"
	1"	1.315	33.4	3, 5	4"
1-1/4"		1.25	31.8	3, 7.25	4"
	1-1/4"	1.660	42.2	3.5, 4, 6.25	4"
1-1/2"		1.5	38.1	2.5, 6, 7.5, 9, 12, 15, 18, 24, 30, 36	4"
1-3/4"		1.75	44.5	2.5, 8, 9, 12, 15, 24, 30, 36, 48	4"
	1-1/2"	1.9	48.3	5, 6, 7.5, 9, 10, 12, 18, 24, 30, 36, 48	4"
2"		2.0	50.8	2.5, 5, 6, 8, 8.5, 9, 10, 12, 15, 18, 24, 30, 36, 48	4"
2-1/8"		2.125	54.0	5, 12, 24, 30, 36	4-1/4"
2-1/4"		2.25	57.2	3, 9, 12, 15, 17, 24, 30, 36	4-1/2"
	2"	2.375	60.2	6, 7.5, 9, 10, 12, 15, 17, 24, 30, 36, 48	4"
2-1/2"		2.5	63.5	4, 6, 9, 12, 15, 17, 24, 30, 36, 48	5"
2-3/4"		2.75	69.9	17, 30, 36, 48	5-1/2"
	2-1/2"	2.875	73.0	12, 12.5, 15, 17, 24, 30, 36, 60	5"
3"		3.0	76.2	4.5, 7.5, 9, 10, 12, 15, 18, 24, 30, 36, 48, 60	6"
3-1/4"		3.25	82.6	17, 30, 36	6-1/2"
3-1/2"	3"	3.5	88.9	3.5, 6, 8.75, 12, 15, 16, 18, 24, 30, 36, 48	7" (6" - pipe)
3-3/4"		3.75	95.3	17, 24, 32, 36	7-1/2"
4"	3-1/2"	4.0	101.6	6, 10, 12, 16, 18, 20, 24, 30, 32, 36, 48, 60	8" (7" - pipe)
4-1/4"		4.25	107.9	16, 30, 36, 48, 60	8-1/2"
4-1/2"	4"	4.5	114.3	6, 9, 12, 16, 18, 20, 24, 30, 32, 36, 48, 60	9" (8" - pipe)
4-3/4"		4.75	120.7	36	9-1/2"
5"		5.0	127.0	7.5, 12.5, 17, 22, 24, 30, 36, 42, 48, 60	10"
	5"	5.563	141.3	15, 20, 24, 30, 36, 42, 48, 60, 72	10"
5-1/2"		5.5	139.7	30, 36	11"
6"		6.0	152.4	9, 15, 18, 24, 30, 36, 42, 48, 60, 72	12"
	6"	6.625	168.2	18, 24, 30, 36, 42, 48, 60, 72	12"
8"		8.0	203.2	12, 20, 32, 48, 60, 72	16"
	8"	8.625	219.1	24, 32, 40, 48, 60, 72	16"
	10"	10.75	273.1	40, 50	20"

Capabilities subject to change without notice.

TEES			WYES						LATERALS							
OD	A	B	OD	30° C	30° D	45° C	45° D	60° C	60° D	OD	30° E	30° F	45° E	45° F	60° E	60° F
2"	16"	8"	2"	8"	8"	8"	8"	8"	8"	2"	8"	16"	8"	16"	8"	16"
3"	16"	8"	3"	8"	8"	8"	8"	8"	8"	3"	10"	20"	8"	16"	8"	16"
4"	16"	8"	4"	8"	8"	8"	8"	8"	8"	4"	12"	24"	10"	20"	10"	20"
4-1/2"	18"	9"	4-1/2"	10"	10"	10"	10"	10"	10"	4-1/2"	12"	24"	10"	20"	10"	20"
5"	18"	9"	5"	11"	11"	11"	11"	11"	11"	5"	15"	30"	12"	24"	12"	24"
6"	20"	10"	6"	12"	12"	12"	12"	12"	12"	6"	18"	36"	15"	30"	15"	30"
8"	24"	12"	8"	14"	14"	14"	14"	14"	14"	8"	22"	40"	18"	36"	18"	36"

ORDER TEES by tube or pipe size, wall thickness, and metal.

O.D.s not listed, available on request.

ORDER LATERALS and WYES by tube or pipe size, wall thickness, metal and degree of angle.

For Prices and Delivery

Call Toll Free: 1-800-426-1579

Toll-Free Fax: 1-800-545-1399

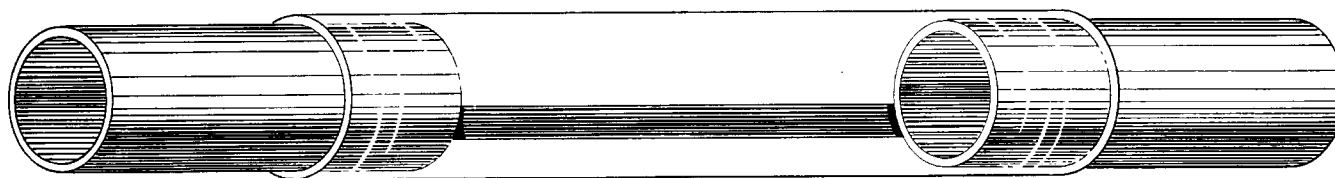
E-mail: sales@morriscoupling.com

internet: www.morriscoupling.com



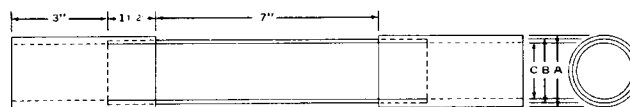
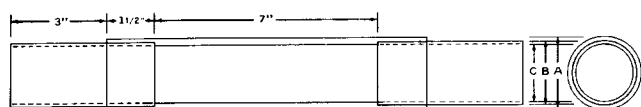
2240 W. 15th St., Erie, PA 16505
Phone: 814-459-1741

Sight Glasses



- clear look at the material flowing
- smooth "straight-thru" interior
- air-tight seal
- "sighting" section can be furnished in Pyrex

- a grounding strip, permanently attached, eliminates the build-up of static electricity
- fast, easy installation



TUBING OR PIPE INSERTED IN CLEAR ACRYLIC IN THE FOLLOWING SIZES:

Tubing Sizes with Aluminum Ends

Part No.	Overall O.D. "A"	Tube O.D. "B"	Tube I.D. "C"	LIST PRICE
SG 1-1/2-OD-16	1.750	1.500	1.375	
SG 2-OD-16	2.250	2.000	1.875	
SG 2-OD-11	2.250	2.000	1.750	
SG 2-1/4-OD-16	2.500	2.250	2.125	
SG 2-1/2-OD-16	2.750	2.500	2.375	
SG 2-1/2-OD-11	2.750	2.500	2.250	
SG 3-OD-16	3.250	3.000	2.875	
SG 3-OD-11	3.250	3.000	2.750	
SG 3-1/2-OD-16	3.750	3.500	3.375	
SG 3-1/2-OD-11	3.750	3.500	3.250	
SG 4-OD-16	4.250	4.000	3.875	
SG 4-OD-11	4.250	4.000	3.750	
SG 4-1/2-OD-16	4.750	4.500	4.375	
SG 4-1/2-OD-11	4.750	4.500	4.250	
SG 5-OD-14	5.250	5.000	4.875	
SG 5-OD-11	5.250	5.000	4.750	
SG 6-OD-11	6.500	6.000	5.750	

CLEAR ACRYLIC INSERTED IN PIPE IN THE FOLLOWING SIZES:

Pipe Sizes with Steel Ends

Part No.	Overall O.D. "A"	Tube O.D. "B"	Tube I.D. "C"	LIST PRICE
SG 3" - IPS	3.500	3.250	3.000	
SG 3-1/2" - IPS	4.000	3.750	3.500	
SG 4" - IPS	4.500	4.250	4.000	
SG 5" - IPS	5.563	5.250	5.000	
SG 6" - IPS	6.625	6.500	6.000	

Pipe Sizes with Aluminum Pipe Ends

Part No.	Overall O.D. "A"	Tube O.D. "B"	Tube I.D. "C"	LIST PRICE
SG 3" - AP	3.500	3.250	3.000	
SG 3-1/2" - AP	4.000	3.750	3.500	
SG 4" - AP	4.500	4.250	4.000	
SG 5" - AP	5.563	5.250	5.000	
SG 6" - AP	6.625	6.500	6.000	

Prices subject to change without notice.

Pipe Sizes with Steel Ends

Part No.	Overall O.D. "A"	Tube O.D. "B"	Tube I.D. "C"	LIST PRICE
SG 2" - IPS	2.500	2.375	2.000	
SG 2-1/2" - IPS	3.000	2.875	2.500	

Pipe Sizes with Aluminum Pipe Ends

Part No.	Overall O.D. "A"	Tube O.D. "B"	Tube I.D. "C"	LIST PRICE
SG 2" - AP	2.500	2.375	2.000	
SG 2-1/2" - AP	3.000	2.875	2.500	

Material:

Aluminum Tubing 6061-T6 and 6063-T6
 "Sight Glass" Cast Acrylic Resin
 Steel Pipe Schedule 40
 Aluminum Pipe Schedule 40
 (Available in Schedule 5 and 10)

Prices of special sizes and materials including Pyrex sighting section available on request.

When ordering, please be sure to use the correct part number. Also list tubing or pipe O.D. and wall thickness.

Prices of special sizes and materials available on request.

Morris Gaylord Vacuum Wands

Unloading powders or pellets made easy with Morris Coupling's line of Gaylord Vacuum Wands. Seven models available in aluminum (standard), carbon steel, stainless steel and plastic (shock-free). Available in diameters ranging from 1-1/2" to 4" and lengths 48" to 54".

Morris Basic, Standard, Deluxe and Dissipator series of Gaylord Wands offer the user a variety of options including air adjusting, "stay" clip, handle and filtering screens.



Basic Model – Aluminum Construction

Includes six air register holes and stand off loop at bottom.

Standard Length			Extended Length		
Diameter	Part No.	Length	Diameter	Part No.	Length
1-1/2	GBA 15U	48"	1-1/2	GBA 15UL	54"
2	GBA 20U	48"	2	GBA 20UL	54"
2-1/2	GBA 25U	48"	2-1/2	GBA 25UL	54"
3	GBA 30U	48"	3	GBA 30UL	54"
4	GBA 40U	48"	4	GBA 40UL	54"



Standard Model – Aluminum Construction

Includes adjustable air register ring and stand off loop at bottom.

Standard Length			Extended Length		
Diameter	Part No.	Length	Diameter	Part No.	Length
1-1/2	GSA 15U	48"	1-1/2	GSA 15UL	54"
2	GSA 20U	48"	2	GSA 20UL	54"
2-1/2	GSA 25U	48"	2-1/2	GSA 25UL	54"
3	GSA 30U	48"	3	GSA 30UL	54"
4	GSA 40U	48"	4	GSA 40UL	54"



Deluxe Model – Aluminum Construction

Includes adjustable air register ring, stand off loop, operator handle and Ever-Tite® cam and groove coupling.

Standard Length			Extended Length		
Diameter	Part No.	Length	Diameter	Part No.	Length
1-1/2	GDA 15U	48"	1-1/2	GDA 15UL	54"
2	GDA 20U	48"	2	GDA 20UL	54"
2-1/2	GDA 25U	48"	2-1/2	GDA 25UL	54"
3	GDA 30U	48"	3	GDA 30UL	54"
4	GDA 40U	48"	4	GDA 40UL	54"

For Prices and Delivery

Call Toll Free: 1-800-426-1579
 Toll-Free Fax: 1-800-545-1399
 E-mail: sales@morriscoupling.com
 internet: www.morriscoupling.com

Morris Dissipator™ Series Shock-Free Wands



Basic Pellet Wand

Diameter	Part No.	Length
1-1/2	GCDT1501	51"
2	GCDT2001	51"
2-1/2	GCDT2501	51"
3	GCDT3001	51"
4	GCDT4001	51"

The DISSIPATOR achieves shock-free performance by combining innovations from the electronics industry with advanced polymer technology. By controlling electrical resistivity of the patented polymer compound, built-up static electric charge is released gradually, creating a safe discharge even for humans and hazardous atmospheres.

New Technology Benefits

- Eliminates static electric shocks; improves employee welfare and safety.
- Eliminates need for ground wire in hose*; speeds installation; reduces maintenance cost.
- Slick and smooth inner surface; increases throughput; allows free flow of powder, pellets, flakes, or granules.
- Durable, high-impact polymer construction withstands abuse.
- Lightweight, easy to handle.

* Ground wire recommended in hazardous areas. Refer to group and class installation guidelines.



Standard Pellet Wand

with adjustable air register

Diameter	Part No.	Length
1-1/2	GCDT1502	51"
2	GCDT2002	51"
2-1/2	GCDT2502	51"
3	GCDT3002	51"
4	GCDT4002	51"



Pellet Wand

with fluidizing air channel and adjustable air register

Diameter	Part No.	Length
1-1/2	GCDT1503	51"
2	GCDT2003	51"
2-1/2	GCDT2503	51"
3	GCDT3003	51"
4	GCDT4003	51"



Custom Powder Wand

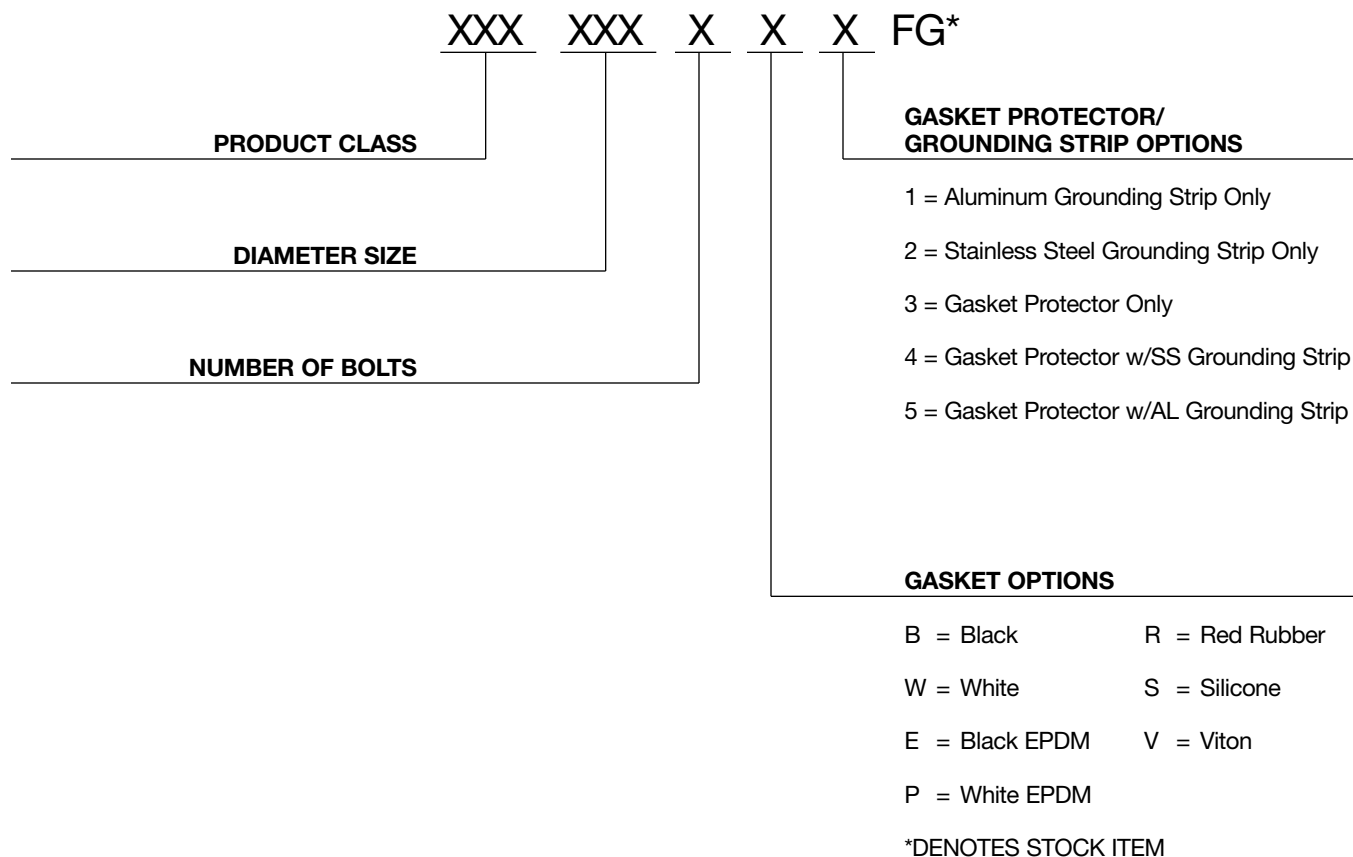
features adjustable air registers for regulating air in outer supply tube and inner fluidizing air channel

Diameter	Part No.	Length
2	GCDW2005	54"

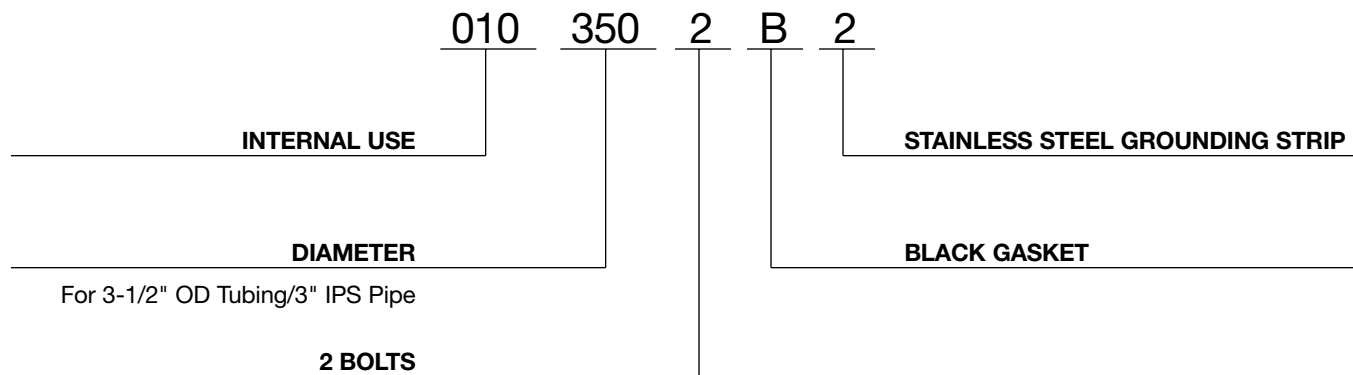
Morris Coupling Nomenclature

If You Prefer To Use Our Computer PIC Number Designation

WHEN ORDERING



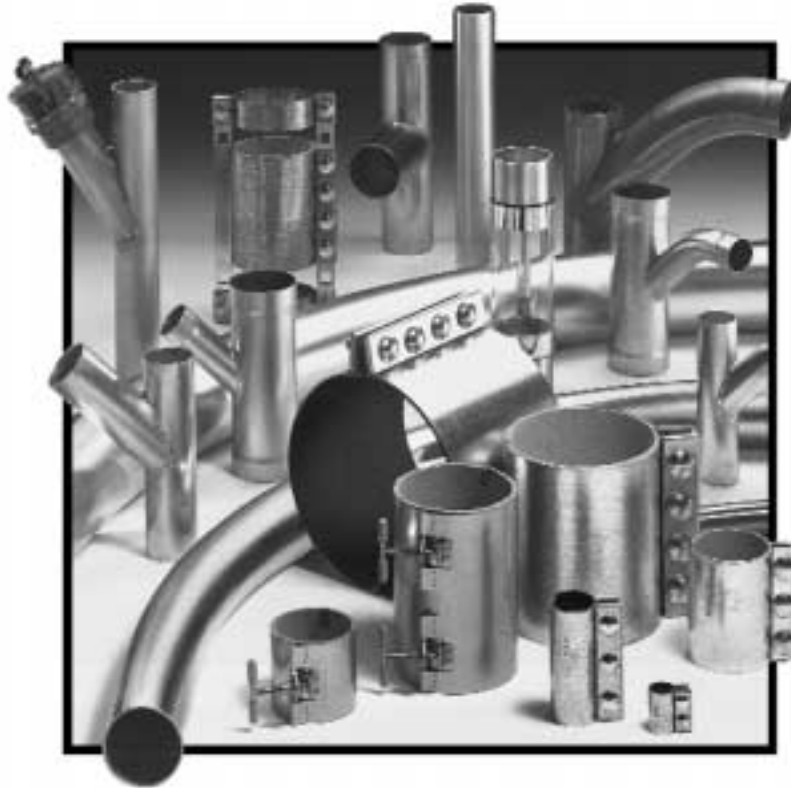
EXAMPLE



For Prices and Delivery

Call Toll Free: 1-800-426-1579
 Toll-Free Fax: 1-800-545-1399
 E-mail: sales@morriscoupling.com
 internet: www.morriscoupling.com

Morris Coupling Company Your Quality Connection



For Prices and Delivery

Call Toll Free: 1-800-426-1579

Toll-Free Fax: 1-800-545-1399

E-mail: sales@morriscoupling.com

internet: www.morriscoupling.com

MCPB 100 – 10M 702



2240 W. 15th St., Erie, PA 16505
Phone: 814-459-1741