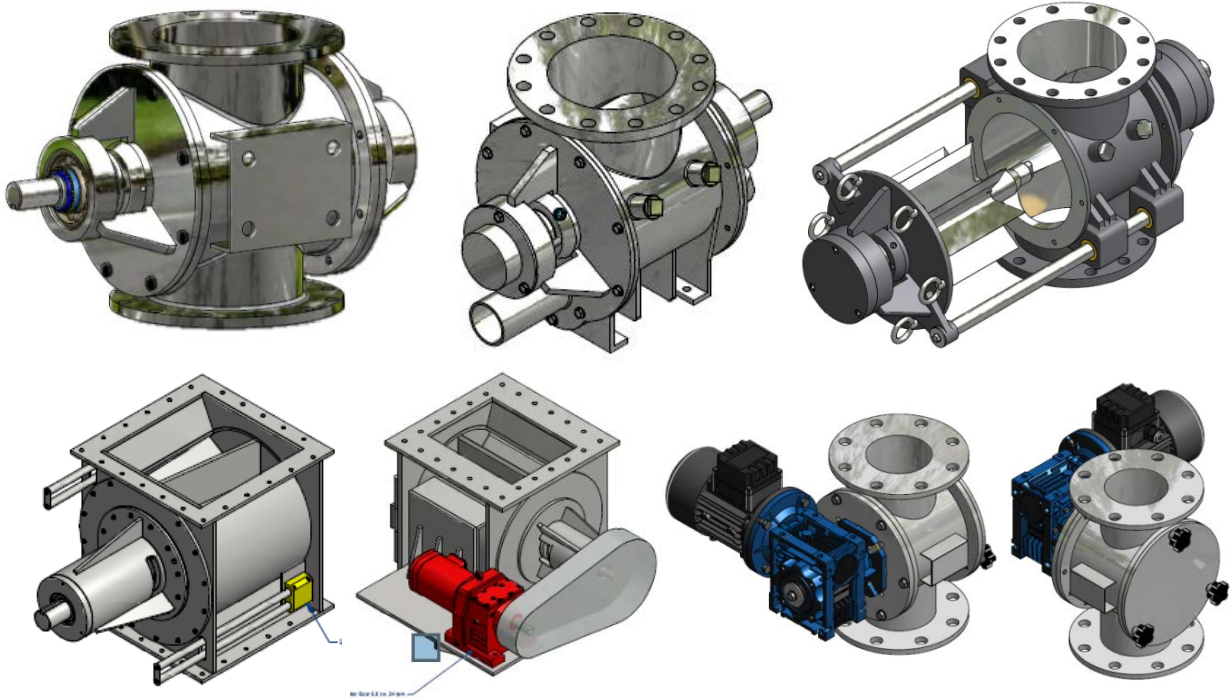
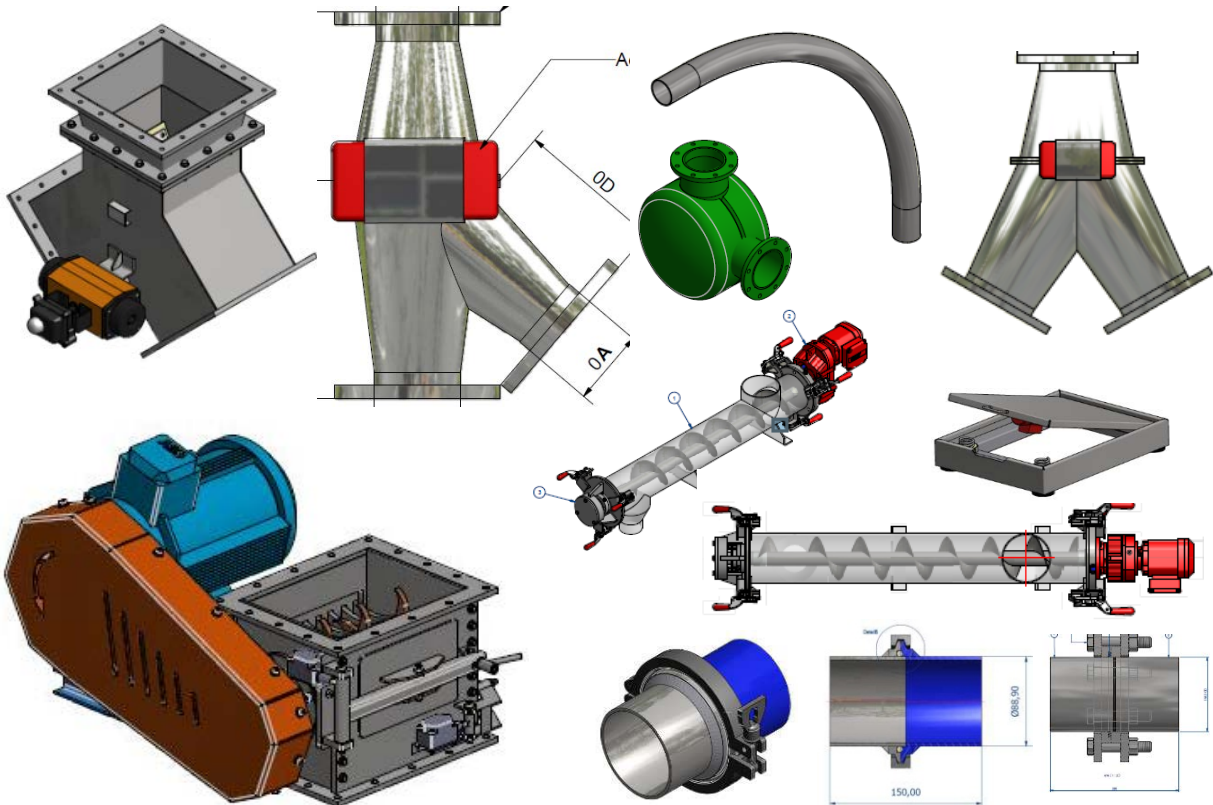


Product Range Overview



TRC Rotary & Diverter Valve with Other Component for Bulk Materials Handling



ROTARY VALVE TRC / MEDIUM DUTY VALVE TYPE / (MD)



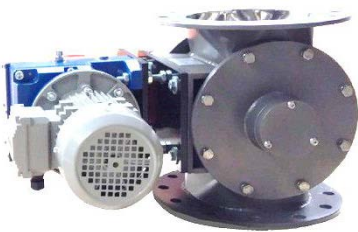
In board bearing powder and pellet handling rotary valve for free flow feeding, high vacuum and low pressure pneumatic conveying system
Vacuum down to – 500 mBar
Pressure up to + 150 mBar
Size 4,6,8,10,12,14,16 inches

ROTARY VALVE TRC / HEAVY DUTY VALVE TYPE / (HD)



Out board bearing, powder handling rotary valve for high vacuum & pressure pneumatic conveying system
Vacuum down to – 500 mBar
Pressure up to + 500 mBar
Size 4,6,8,10,12,14,16 inches

ROTARY VALVE TRC / LIGHT DUTY FEEDING TYPE / (LF)



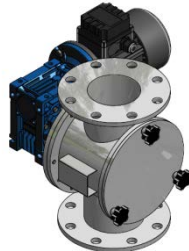
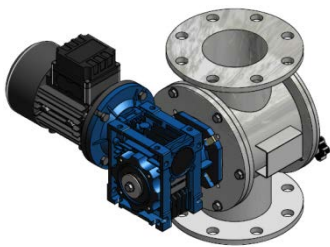
In board bearing, powder handling rotary valve for feeding, very low vacuum & pressure pneumatic conveying system
Vacuum down to – 50 mBar
Pressure up to + 50 mBar
Size 4,5,6,8,10,12,14,16 inches

ROTARY VALVE TRC / COMPACT TYPE



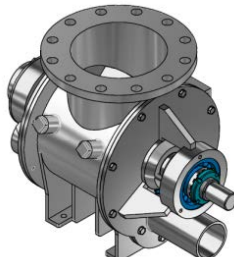
Compact & Easy clean Type, powder handling rotary valve for feeding, medium vacuum & low pressure pneumatic conveying system
Vacuum down to –250 to 500 mBar
Pressure up to + 100 to 200 mBar
Size 4,5,6,8 inches

ROTARY VALVE TRC / DOUBLE BEARING COMPACT TYPE



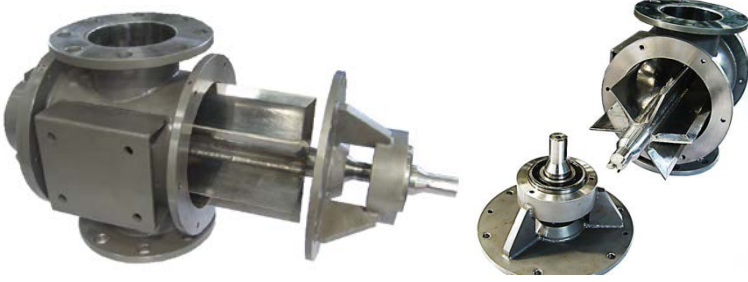
Compact Type, double bearing, powder handling rotary valve for feeding, high vacuum & low pressure pneumatic conveying system
Vacuum down to –500 mBar
Pressure up to + 200 mBar
Size 8,10,12,14,16 inches

ROTARY VALVE TRC / HEAVY DUTY BLOW THROUGH TYPE (HD-BL)



Out board bearing blow through, powder & pellet handling rotary valve for high vacuum & pressure pneumatic conveying system
Vacuum down to – 500 mBar
Pressure up to + 500 mBar
Size 4,5,6,8,10,12,14,16 inches

ROTARY VALVE TRC / EASY CLEAN HAVY DUTY TYPE /(ES-HD)



Quick detachable, Easy clean Type, powder handling rotary valve for high vacuum & pressure pneumatic conveying system
Vacuum down to -500 mBar
Pressure up to + 500 mBar
Size 4,5,6 inches

ROTARY VALVE TRC / EASY CLEAN HEAVY DUTY - SLIDE ARMS TYPE / (HD-SL)



Slide arm Quick detachable, Easy clean Type, powder handling rotary valve for high vacuum & pressure pneumatic conveying system
Vacuum down to -500 mBar
Pressure up to + 500 mBar
Size 8,10,12,14,16 inches

ROTARY VALVE TRC / EASY CLEAN HEAVY DUTY BLOW THROUGH SLIDE ARMS / (HBL-SL)



Quick detachable, Easy clean blow through Type, powder handling rotary valve for high vacuum & pressure pneumatic conveying system
Vacuum down to -500 mBar
Pressure up to + 500 mBar
Size 8,10,12,14,16 inches

ROTARY VALVE TRC / HEAVY DUTY BLOW THROUGH TYPE (HD-BL)



In board bearing pellet handling rotary valve for high vacuum and low pressure pneumatic conveying system
Vacuum down to - 500 mBar
Pressure up to + 200 mBar
Size 6,8,10,12,14,16 inches

ROTARY VALVE TRC / EASY CLEAN HAVY DUTY TYPE /(ES-HD)



Out board bearing with hard chromed internal surface wood dust handling rotary valve for high vacuum & pressure pneumatic conveying system
Vacuum down to - 500 mBar
Pressure up to + 500 mBar
Size 16,20 inches

LUMP BREAKER TRC



Easy clean Type, Lump breaker for Food and Chemical industry
Stainless steel 304, 316
Outlet Particle Size at 3.0 mm minimum

FLAP TYPE PNEUMATIC CONVEYING DIVERTER VALVE TRC



Flap Type, powder & pellet handling diverter valve for medium vacuum & high pressure pneumatic conveying system

Vacuum down to -300 mBar
Pressure up to + 500 mBar
Size 3,4,5,6,8,10 inches

GRAVITY FEED TYPE DIVERTER VALVE TRC



Flap Type, powder & pellet handling diverter valve for gravity feeding
Size 4,5,6,8,10,12,14,16,18,20 inches

PRODUCT SAMPLING VALVE FOR FOOD INDUSTRY



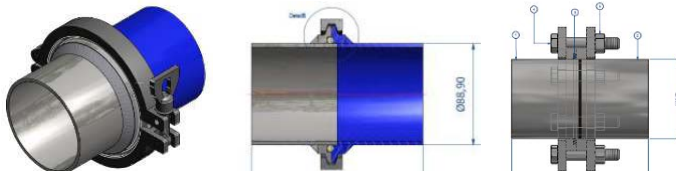
Piston type Product Sampling valve
Stainless steel 304, 316
Size 2.0 inches

MAGNETIC SEPERATOR



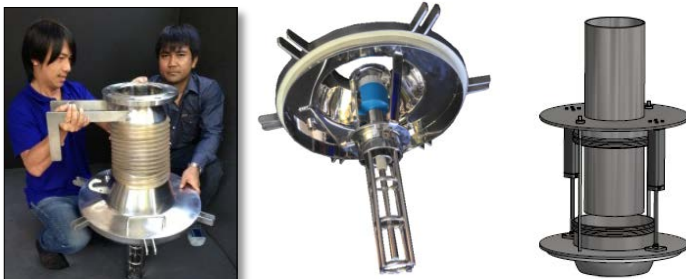
Stainless steel 304, 316

SELF ALIGNING FLANGE



Stainless steel 304, 316
Size 2,3,4,5,6,8,10 inches

LOADING BELLOW FOR FOOD GRADE BULK TRUCK LOADING STATION



Stainless steel 304, 316
Size 6,8,10 inches