

“ *Therec Corporation Ltd.* ”

Rotary Valve For Bulk Materials



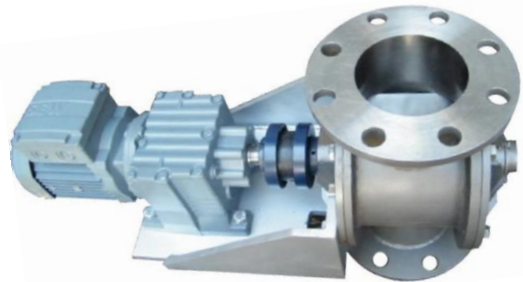
TRC200 Direct drive for sugar



TRC200 Chain drive for Lime powder



TRC 300 IB Chain drive , Hard Chrome
for Cement powder



TRC 150 IB Direct drive for Coffee mate powder

In Board Type



TRC 200 OB Chain drive for Coffee Powder



TRC 200 OB Direct drive for Sugar



TRC 350 OB Chain drive for Cement powder



TRC 200 OB Chain drive for PE pellets

Out Board Type

www.thereccorp.com

“ Therec Corporation Ltd. ”

Rotary Valve For Bulk Materials



TRC 250 BL for Food Grade



TRC 350 BL, Plastic conveying system
SUS 304, for PE pellets

Blow Through Type



TRC 300 BL Slide Arm, conveying system
SUS 304, for Food Grade



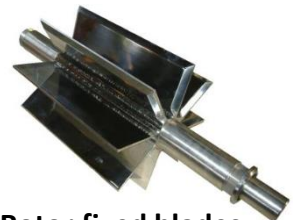
Rotor adjustment



Insert blades



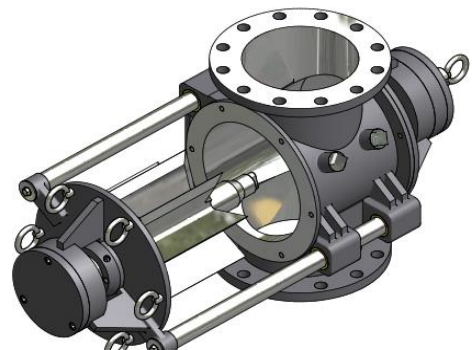
Scalloped Rotor



Rotor fixed blades



TRC 200 Open Cover (SUS 304)
for Food Grade



Rotary Valve OB Slide Arm (SUS 304)
for Food Grade

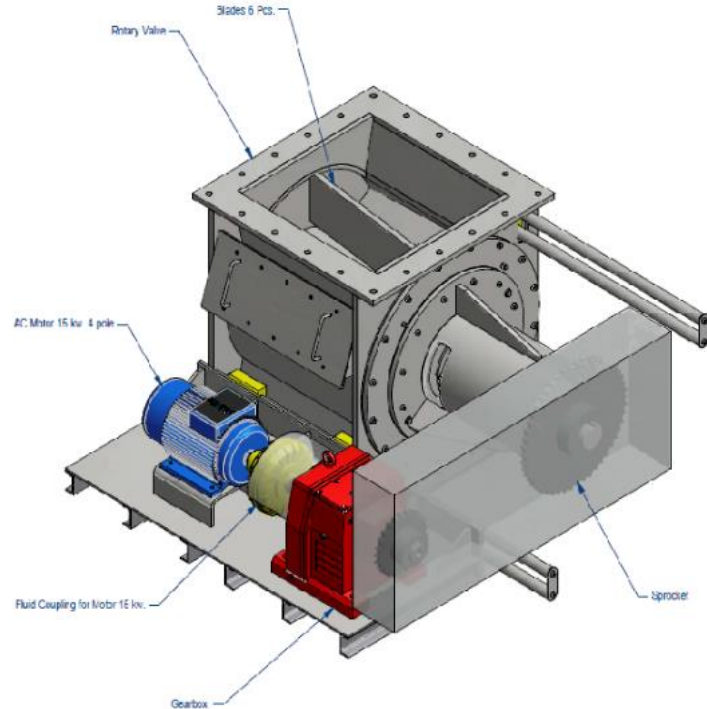
Rotary valve for Ezy Cleaning Works

“ Therec Corporation Ltd. ”

Rotary Valve For Special Products



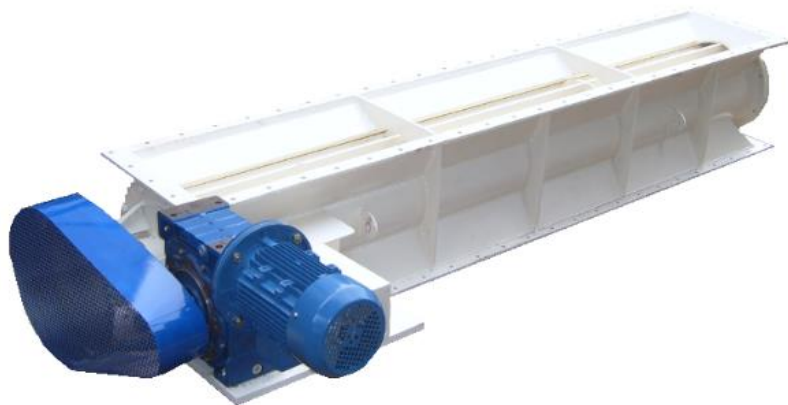
**SIZE 20 ” Inlet&Outlet 500x500mm
Rotary valve use for wood dust**



**Inlet&Outlet 900x900mm
Rotary valve use for Biomass**



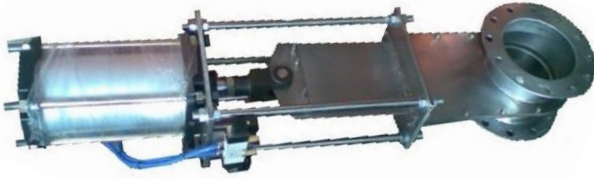
**SIZE 16 ” Inlet&Outlet 400x400 mm
carbon steel, for wood dust,
Pneumatic conveying system, plywood factory**



**Inlet&Outlet 350x2500mm
carbon steel with Hard Chrome,
for Detergent powder**

“ Therec Corporation Ltd. ”

Slide Gate Valve For Bulk Materials



Automatic Slide Gate Valve ,
Food grade (SUS 304) , Size 150 mm



Manual Slide Gate Valve ,
Plastic conveying system (SUS 304), Size 300 mm

Diverter Valve For Bulk Materials



Low pressure , Corn flakes pneumatics
Conveying system, SUS 304, Size 100 mm



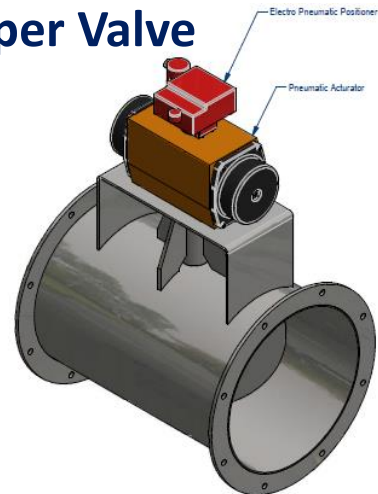
Silo Diverter Valve, For Pulp chip,
Carbon steel, Size 200 mm



Trickle Valve & Damper Valve



Trickle Valve SUS 304, Size 100 mm



Damper Valve SUS 304, Size 400 mm

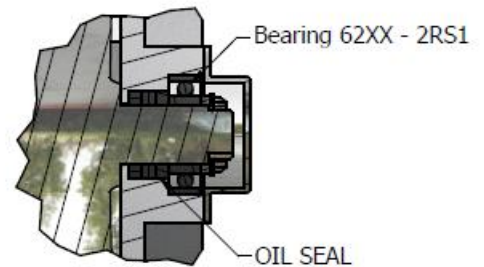
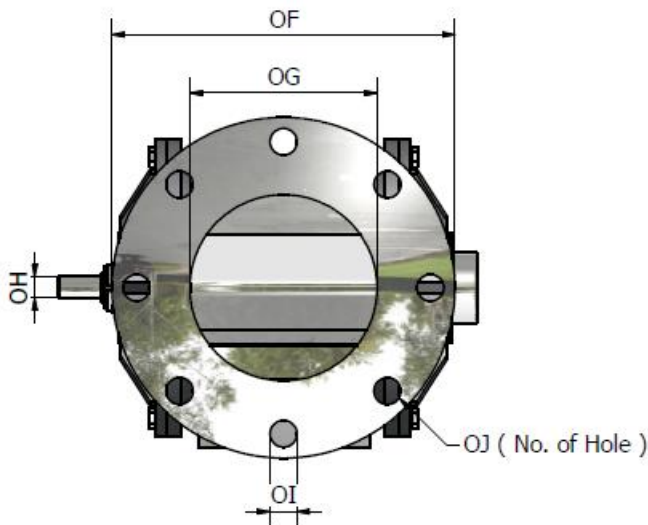
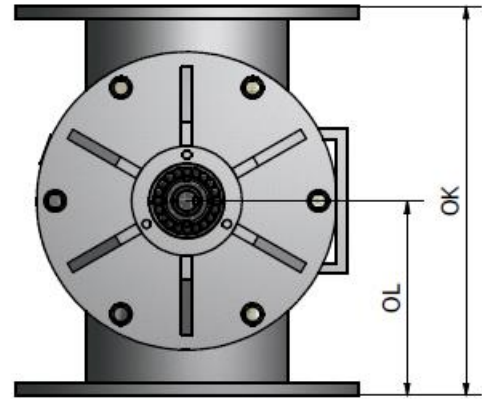
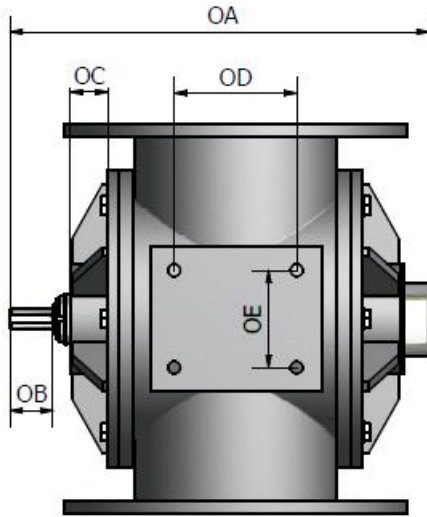
Standard Dimensions Rotary Valve TRC

TRC ROTARY VALVE IB

(Air Lock Type)

Max. Pressure 0.5 bar

Clearance 0.25 – 0.35 mm



DIMENSIONS (all in millimetres)

Column	OA	OB	OC	OD	OE	OF	OG	OH	OI	OJ	OK	OL	Weight (kg)	With Drive (kg)
TRC 100														
TRC 150	342	35	31	100	80	280	153	18	23	8	320	160	62	82
TRC 200	416	40	34	160	130	330	203	22	23	12	450	225	130	180
TRC 250	491	45	42	210	140	400	253	26	25	12	490	245	206	256
TRC 300	567	45	50	250	160	445	306	30	25	16	580	270	285	350

THEREC
www.thereccorp.com

THEREC CORPORATION LTD.

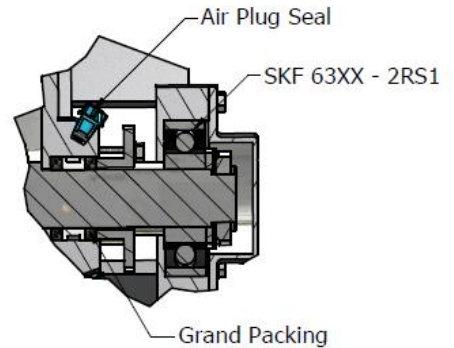
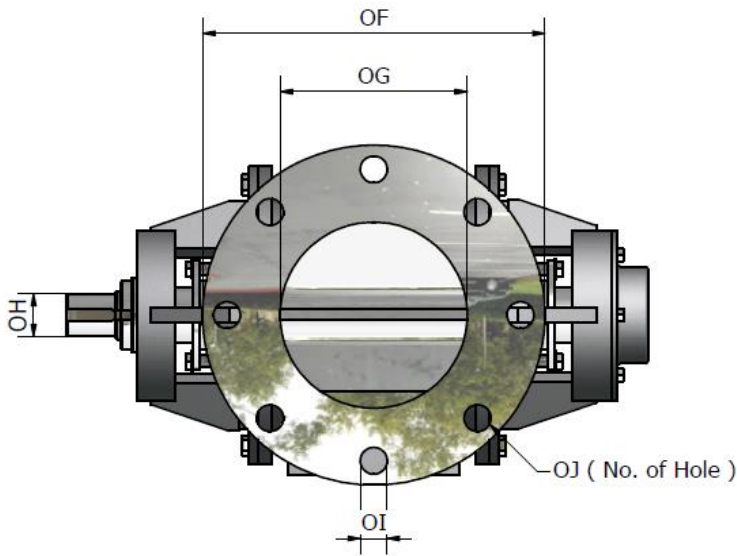
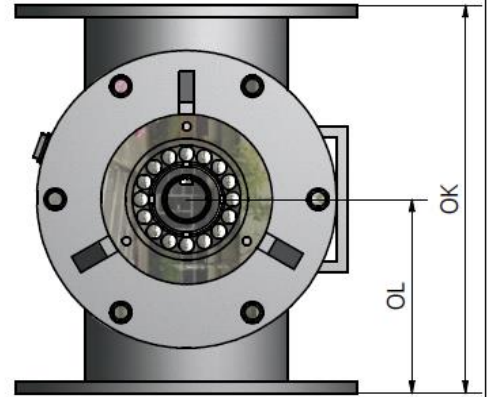
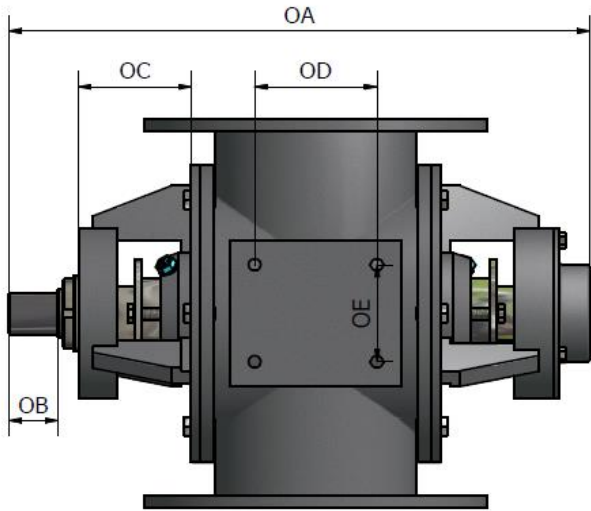
88,89 Kanjanapisak Rd. Bangbon, Bangkok Thailand 10150
E-mail : therec@truemail.co.th Tel : (662) 893-9003-4
Website : thereccorp.com Fax : (662) 893-9005

Standard Dimensions Rotary Valve TRC

TRC ROTARY VALVE OB (Air Lock Type)

Max. Pressure 0.5 bar

Clearance 0.25 – 0.35 mm



DIMENSIONS (all in millimetres)

Column	OA	OB	OC	OD	OE	OF	OG	OH	OI	OJ	OK	OL	Weight (kg)	With Drive (kg)
TRC 100	285	35	68	100	80	210	100	19	19	8	300	150	48	65
TRC 150	475	40	92	100	80	280	153	35	23	8	320	160	60	80
TRC 200	632	60	116	160	130	330	203	40	23	12	450	225	130	190
TRC 250	742	80	130	210	140	400	253	48	25	12	490	245	150	220
TRC 300	864	90	162	250	160	445	306	55	25	16	580	270	180	250

THEREC
www.thereccorp.com

THEREC CORPORATION LTD.

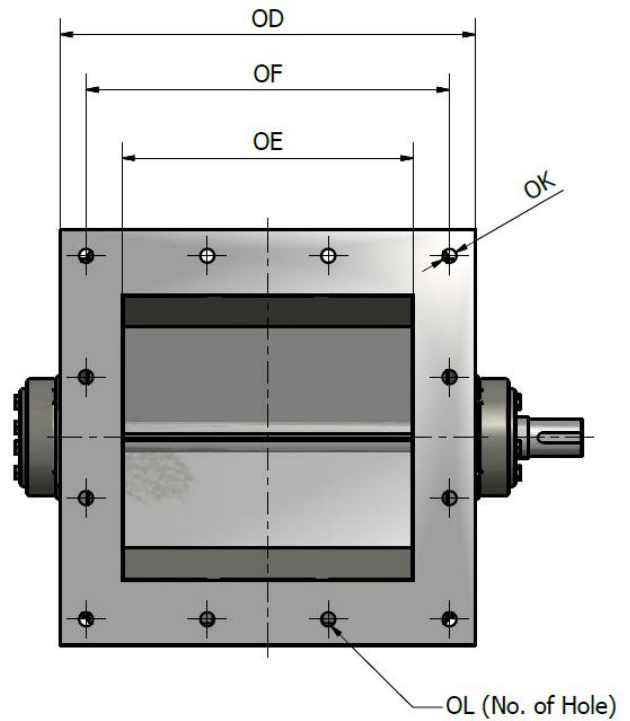
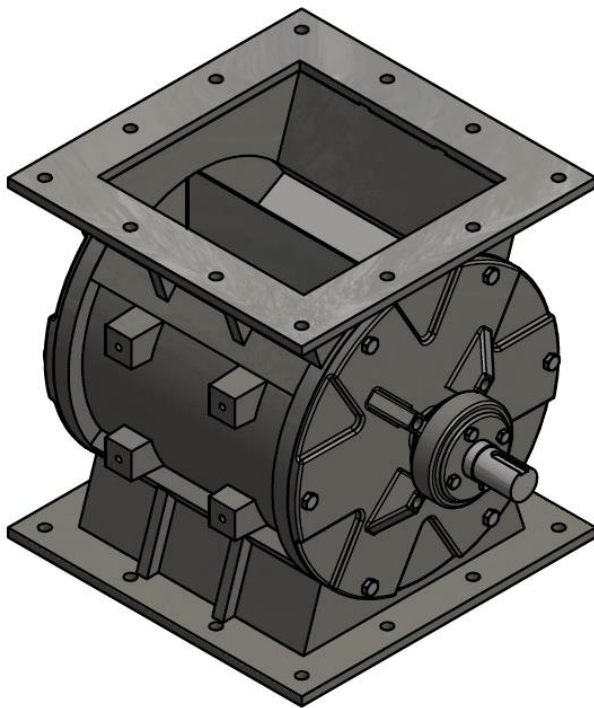
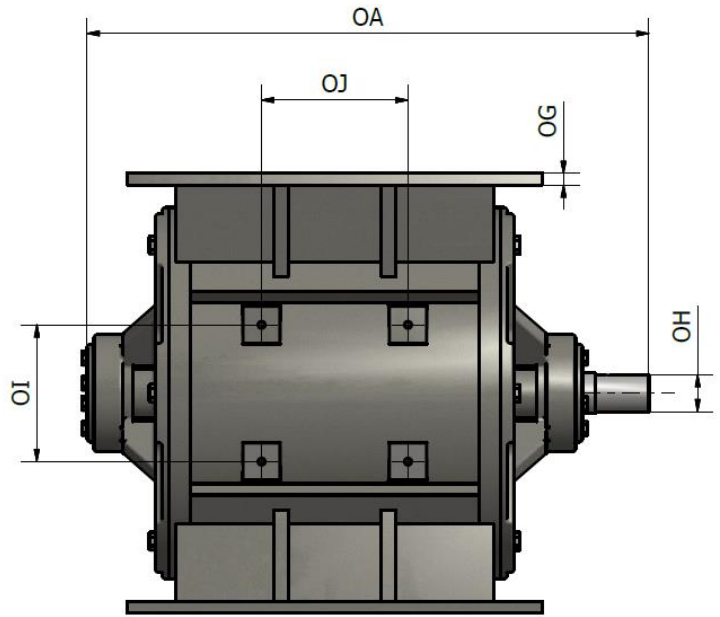
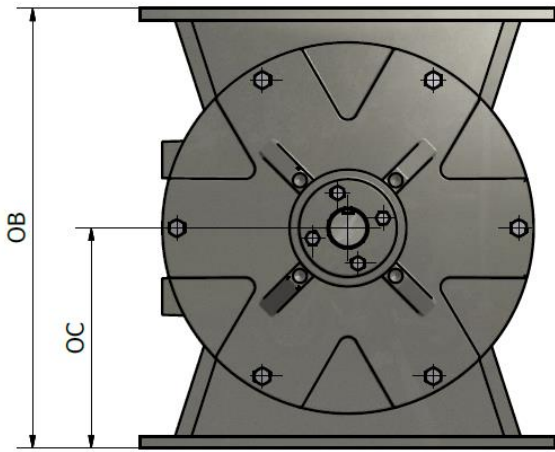
88,89 Kanjanapisak Rd. Bangbon, Bangkok Thailand 10150
E-mail : therec@truemail.co.th Tel : (662) 893-9003-4
Website : thereccorp.com Fax : (662) 893-9005

Standard Dimensions Rotary Valve TRC

TRC ROTARY VALVE FD

(Feeding Type)

Max. Pressure 0.2 bar On Hard Chrome



DIMENSIONS (all in millimetres)

Column	OA	OB	OC	OD	OE	OF	OG	OH	OI	OJ	OK	OL	Weight (kg)	With Drive (kg)
FD 100														
FD 150	315	299	149.5	250	150	200	15	29	-	-	9	4	62	82
FD 200	375	320	160	300	200	245	14	30	290	130	9	4	130	180
FD 250	527	400	200	370	250	309	15	37	135	142	12	12	206	256
FD 300	575	450	225	420	295	372	12	38	140	150	12	12	285	350

THEREC
www.thereccorp.com

THEREC CORPORATION LTD.

88,89 Kanjanapisak Rd. Bangbon, Bangkok Thailand 10150
E-mail : therec@truemail.co.th Tel : (662) 893-9003-4
Website : thereccorp.com Fax : (662) 893-9005

“Therec Corporation Ltd.”

Rotary Valve Department



Reference of Rotary valve TRC on plants



Therec Corporation Ltd.

105/156 Karnjanapisek Bangbon Bangkok 10150 Thailand

E-mail : sales@thereccorp.com

Website : www.thereccorp.com

Sale Office

Tel : 662 893 9003 (4lines) Fax : 662 893 9178

Head office & Factory

Tel : 662 893 9004 (3lines) Fax : 662 893 9005