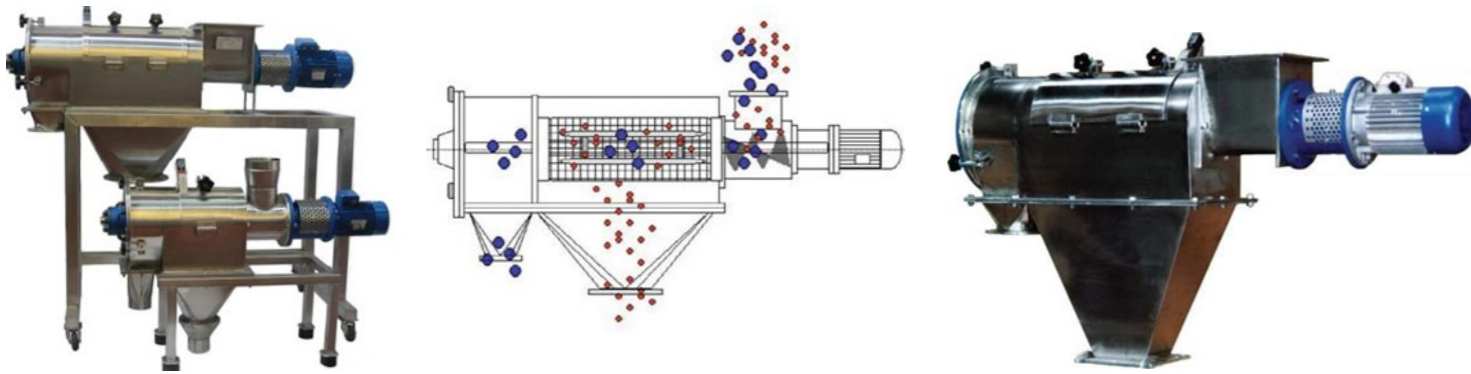


## Screeners and Sifter



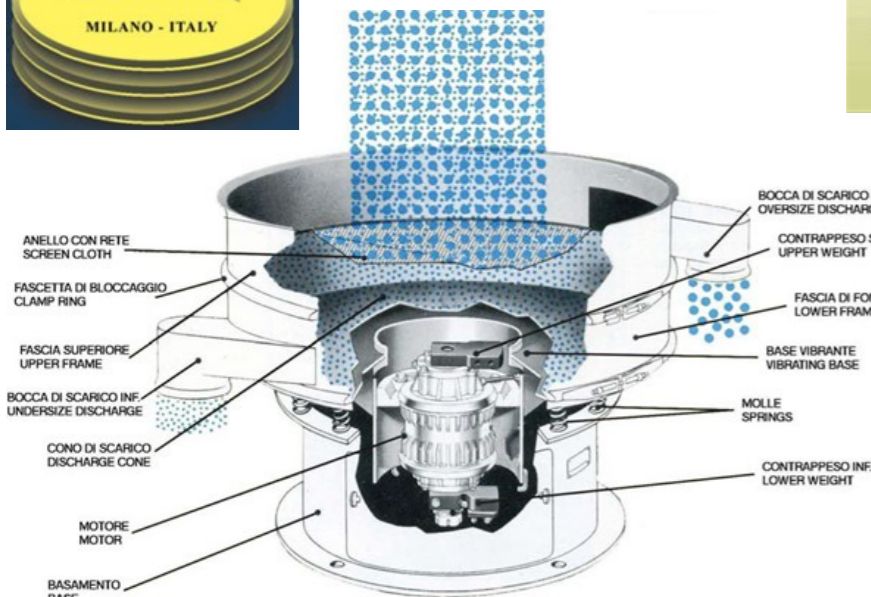
Rotative Separator / Centrifugal Sifter

Capacity up to 11 tons/hr at 1.0 mm material particle size

Outlet diameter up to 300 mm. / with 3 different sizes



Cleaning System



Shaking Circular Vibro-screen

Screen diameter up to 1800 mm. / with 3 different sizes



Electrical Testing Laboratory Sifter



## "Therec Processing Machine Co., Ltd."

### Bulk Material Handling Machine & Equipment Storage Silo system



Aluminium Silo

Gravity Blender



Polyester Flexible Silo

Stainless Steel Silo

Silo Feeding System



Loading bellow



Silo Safety Valve



Explosion vent panel

Bursting panel

Mechanical & magnetic burst sensor



Flexible Spiral Conveyor

Ribbon Mixer

Continuous Mixer

Vibrating Feeder

Volumetric Feeder

Gravimetric Feeder



Aero Mechanical Conveyor



Shaking Circular Vibro-screen

Static Separator

Rotative Separator

Centrifugal Sifter

Testing Laboratory Sifter



Morris coupling

Compression Coupling

Sight Glass

Long Bend



Silo & bin flexible connector



Flexible Hose



Rotary Valve

Diverter Valve

Slide Gate Valve



[www.trpm.co.th](http://www.trpm.co.th)



Therec Processing Machine Co., Ltd. [www.trpm.co.th.com](http://www.trpm.co.th.com)

Tel ( 662) 893 9003-4 (5 lines)

Fax : (662) 893 9005 ,893 9178

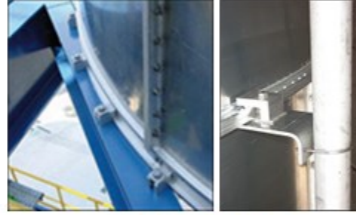
88 Soi Karnjanapisek 4/2 Karnjanapisek Rd. Bangbon Bangkok  
10150 Thailand

General product TRPM 01 / 2014

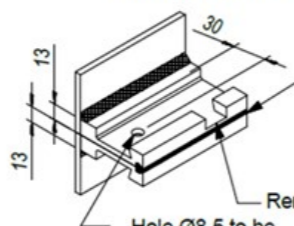


# Storage Silo & Accessories

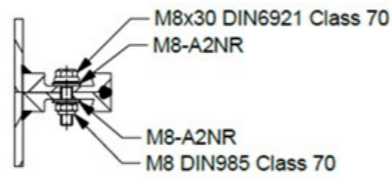
## Aluminium Knock Down Silo



Sealing kit at site

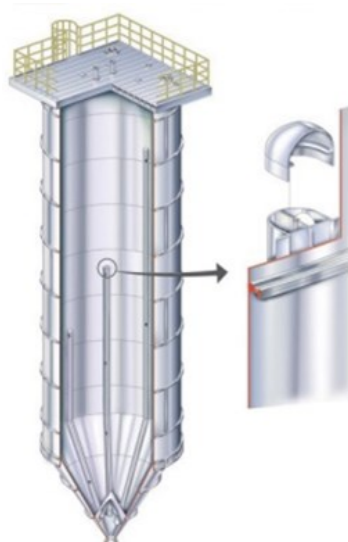


Remove ± 20mm after flange connection (water drain typ.)  
Hole Ø8.5 to be drilled at site (Typ.)



## STANRIV® SILOS

Standard Size up to 500 m³



## Gravity Blenders



Avery Test Blender

[www.trpm.co.th](http://www.trpm.co.th)

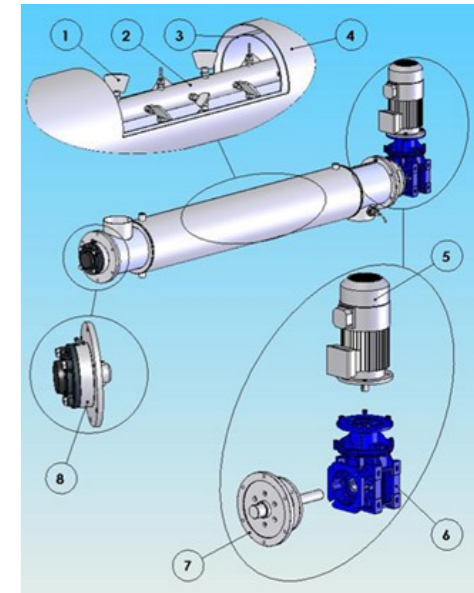
# Bulk Handling Machine & Equipment



Continuous Mixer



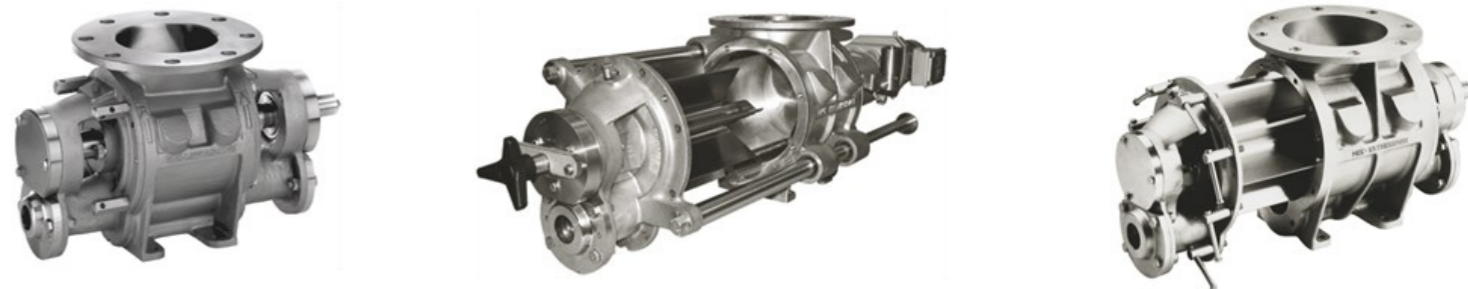
Capacity : up to 10,000 kg/hr



Volumetric , Gravimetric and Vibration Feeder



Drop Through Rotary valve / normal , quick detachable and dairy valve type



Blow Through Rotary valve / normal , quick detachable and dairy valve type

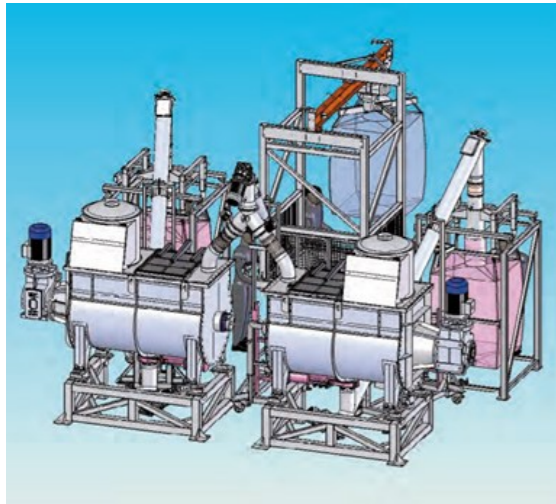


Diverter valve / Flap type , Plug type , Hammer type and Fill Vent valve

[www.trpm.co.th](http://www.trpm.co.th)



# Bulk Handling Machine & Equipment

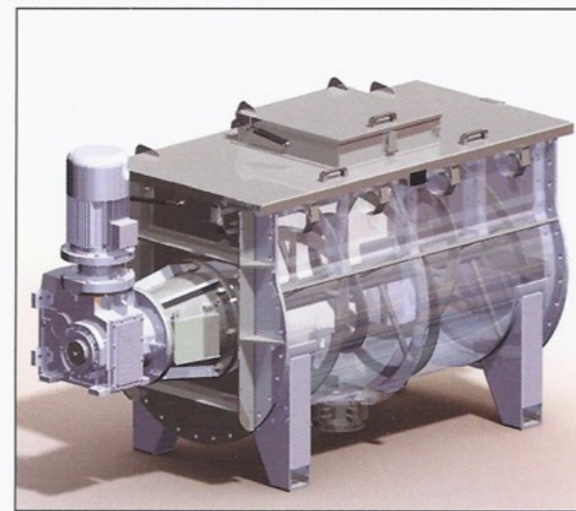
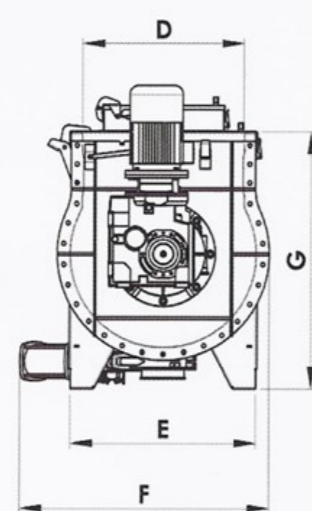
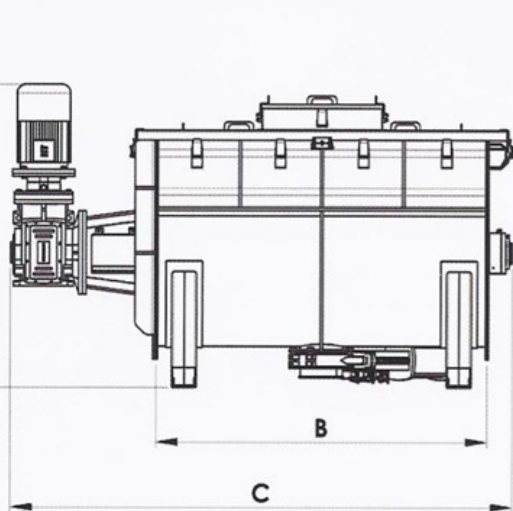


Horizontal Ribbon Mixer

Capacity : 340-3,500 liter



| MODEL   | CAPACITY   |             |              | MOTOR (Kw) | SIZES (mm) |      |      |      |      |      |      |
|---------|------------|-------------|--------------|------------|------------|------|------|------|------|------|------|
|         | GEOM. CAP. | USEFUL CAP. | MAX LOAD(Kg) |            | A          | B    | C    | D    | E    | F    | G    |
| HMX0340 | 425        | 340         | 340          | 3,0        | 985        | 1120 | 1750 | 540  | 620  | 800  | 785  |
| HMX0550 | 700        | 550         | 550          | 4,0        | 1070       | 1310 | 1950 | 645  | 740  | 900  | 940  |
| HMX1000 | 1250       | 1000        | 1000         | 7,5/9,2    | 1450       | 1590 | 2410 | 775  | 890  | 1020 | 1230 |
| HMX1500 | 1875       | 1500        | 1500         | 9,2/11,0   | 1520       | 1820 | 2640 | 890  | 1020 | 1150 | 1380 |
| HMX2000 | 2500       | 2000        | 2000         | 11,0/15,0  | 1840       | 1980 | 3115 | 990  | 1140 | 1400 | 1515 |
| HMX3500 | 4375       | 3500        | 3500         | 18,0/22,0  | 2005       | 2440 | 3575 | 1185 | 1370 | 1600 | 1825 |



# Storage Silo & Accessories



**SILOFLEX**  
Silos in Poliestere alta Tenacità  
Polyester Fabric



Silos in Vetroresina  
Reinforce Fiberglass



Silos in Acciaio Inox  
Stainless Steel

| SERIE STANDARD / STANDARD TYPE |      |    |               |        |
|--------------------------------|------|----|---------------|--------|
| Ø mm                           | H mm | m³ | Ø foot        | H foot |
| 1550 x 1550                    | 3300 | 5  | 5'1" x 5'1"   | 10'10" |
| 2000 x 2000                    | 3000 | 7  | 6'7" x 6'7"   | 9'10"  |
| 2000 x 2000                    | 3800 | 10 | 6'7" x 6'7"   | 12'6"  |
| 2000 x 2000                    | 4300 | 13 | 6'7" x 6'7"   | 14'1"  |
| 2500 x 2500                    | 4300 | 16 | 8'2" x 8'2"   | 14'1"  |
| 2760 x 2760                    | 4300 | 19 | 9'1" x 9'1"   | 14'1"  |
| 2780 x 2780                    | 4900 | 22 | 9'2" x 9'2"   | 16'0"  |
| 2780 x 2780                    | 5200 | 24 | 9'2" x 9'2"   | 17'1"  |
| 3100 x 3100                    | 5800 | 35 | 10'2" x 10'2" | 19'1"  |
| 3100 x 3100                    | 6300 | 40 | 10'2" x 10'2" | 20'8"  |
| 3140 x 3140                    | 6800 | 45 | 10'3" x 10'3" | 22'3"  |
| 3140 x 3140                    | 7100 | 48 | 10'3" x 10'3" | 23'2"  |
| 3840 x 3840                    | 7100 | 65 | 12'8" x 12'8" | 22'3"  |





# Storage Silo & Accessories



## Silo Loading Bellow



**VIGILEX®**



Bursting sensor



Explosion Vent Panel

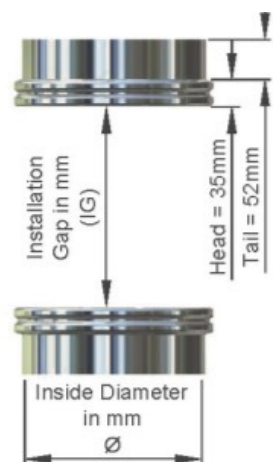
**NOVAPORTE®**



Silo Accessories



Silo Safety valve



Flexible connector

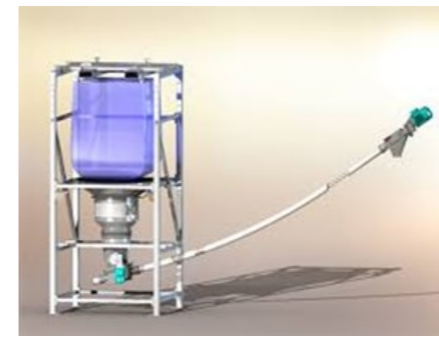


Compression Coupling



[www.trpm.co.th](http://www.trpm.co.th)

# Bulk Handling Machine & Equipment

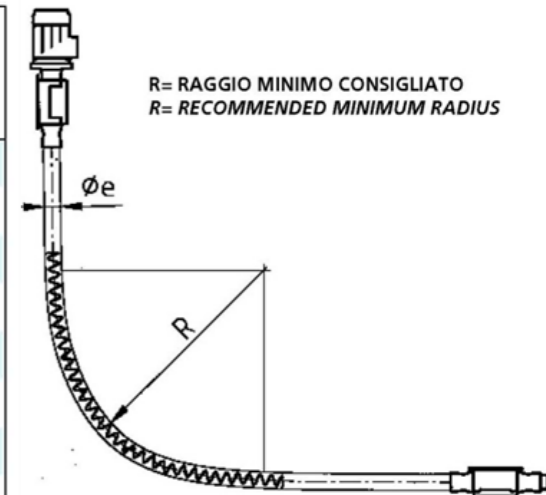


Flexible Spiral Conveyor



Capacity : 120-10,000 kg/hr / Tube size 40-130 mm. / Bulk Density up to 700 kg/m<sup>3</sup>

| Tipo Model | Portata in Kg/h.<br>Capacity load in Kg/h. |                     | R<br>(mm) | Gruppo Group |
|------------|--|---------------------|-----------|--------------|
|            | $\alpha = 0^\circ$                         | $\alpha = 45^\circ$ |           |              |
| MA 40      | 180  | 120                 | 800       | G 1          |
| MA 55      | 500  | 340                 | 1000      | G 1          |
| MA 65      | 1100                                       | 720                 | 1300      | G 1          |
| MA 70      | 1600                                       | 1080                | 1500      | G 1          |
| MA 80      | 2300                                       | 1540                | 2100      | G 2          |
| MA 90      | 3200                                       | 2100                | 2500      | G 2          |
| MA 100     | 4500                                       | 3000                | 2800      | G 3          |
| MA 110     | 6000                                       | 4000                | 3200      | G 3          |
| MA 120     | 7500                                       | 5200                | 4000      | G 4          |
| MA 130     | 10000                                      | 7000                | 5000      | G 4          |



R= RAGGIO MINIMO CONSIGLIATO  
R= RECOMMENDED MINIMUM RADIUS

Very Flexible Conveyor for various Requirement in many system ,many machines and many processes

$\alpha$  = Inclinazione al prelevamento  
Velocità angolare della spirale: 930 r.p.m.  
Densità apparente considerata: 0,7 kg/dm<sup>3</sup>

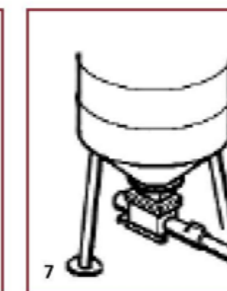
$\alpha$  = Picking inclination  
Spiral angular speed: 930 r.p.m.  
Considered bulk density: 0,7 kg/dm<sup>3</sup>



Innesto IRS  
IRS Coupling



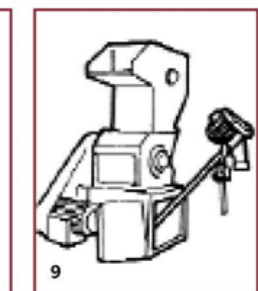
Sonda SLL  
SLL Probe



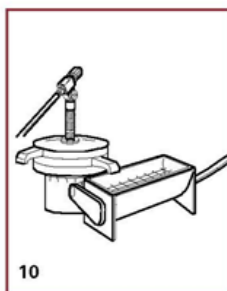
Da silo  
From Silo



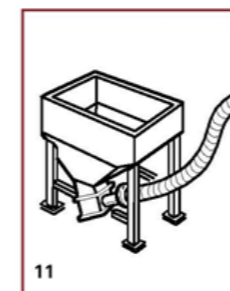
Carico Silo  
Silo loading



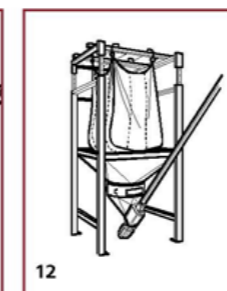
Estrattore da mulino  
Mill extractor



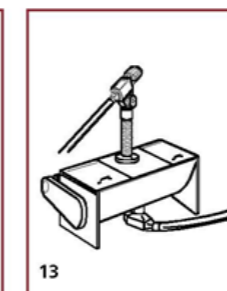
Da Vibrovaglio  
From vibrating screen



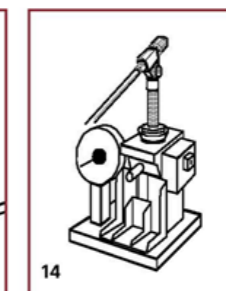
Attacco per aspiratore pneumatico  
Connection for vacuum conveyor



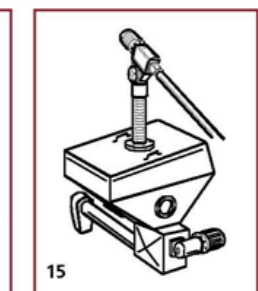
Da Big Bag  
From Bulk Bag



Da Miscelatore orizzontale  
From Horizontal Mixer



Alimentazione Bilancia Insacatrice  
Bag filling machine scale feeding



Alimentazione dosatore  
Batcher feeding



Rompiponte / Estrattore  
Bridge Breaker / Extractor