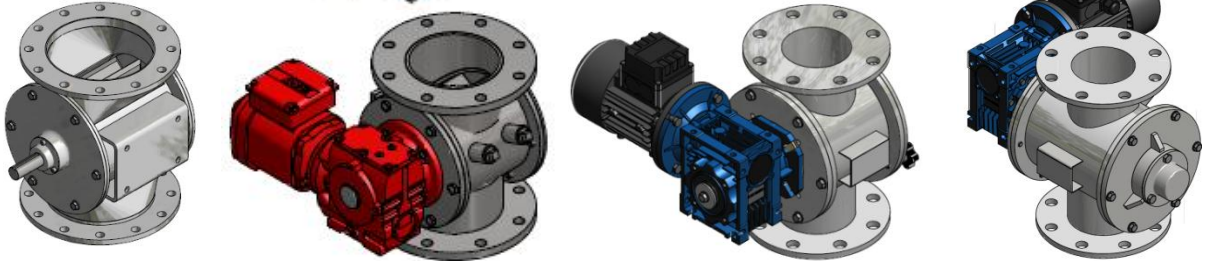
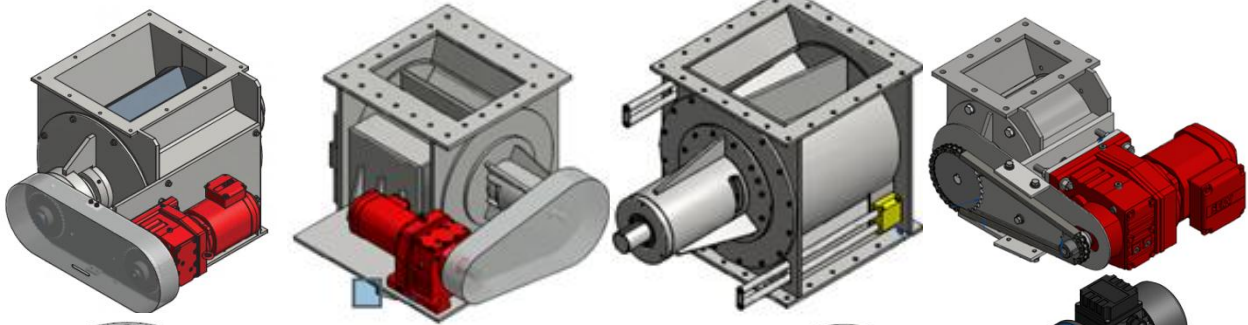
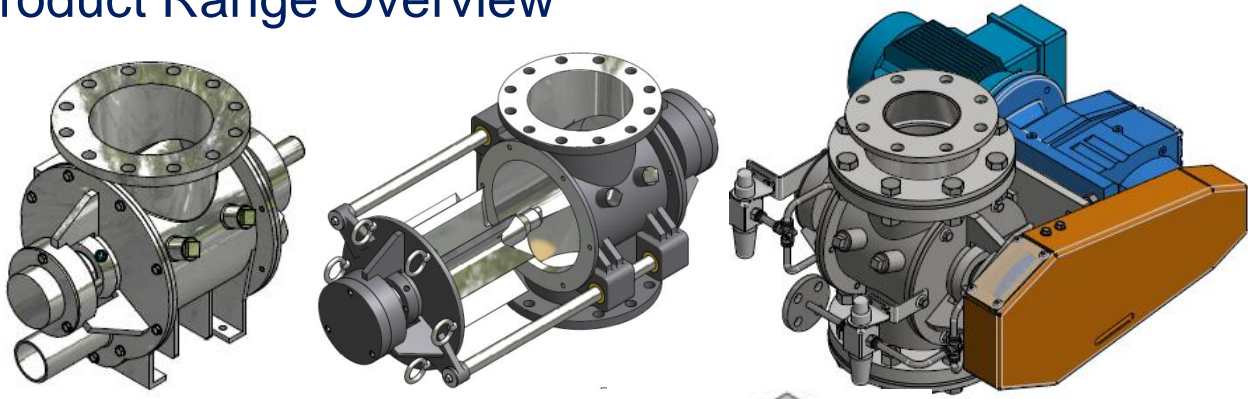
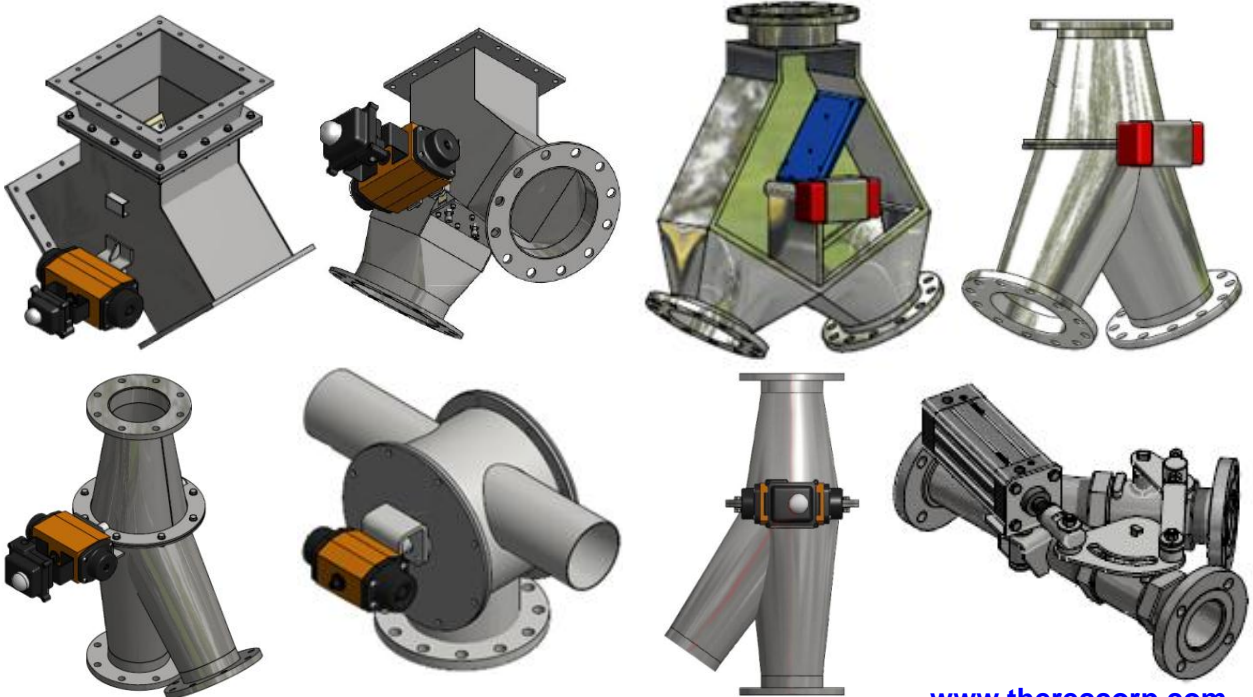


# THEREC CORPORATION LTD.

## Product Range Overview



## TRC Rotary / Diverter Valve and Accessories



Bulk Material Handling Rotary & Diverter Valve

### ROTARY VALVE TRC / MEDIUM DUTY VALVE TYPE / (MD)



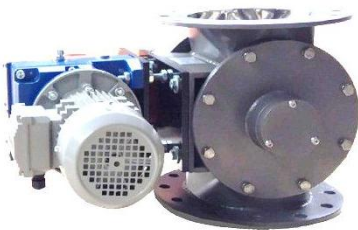
In board bearing powder and pellet handling rotary valve for free flow feeding, high vacuum and low pressure pneumatic conveying system  
Vacuum down to – 500 mBar  
Pressure up to + 150 mBar  
Size 4,6,8,10,12,14,16 inches

### ROTARY VALVE TRC / HEAVY DUTY VALVE TYPE / (HD)



Out board bearing, powder handling rotary valve for high vacuum & pressure pneumatic conveying system  
Vacuum down to – 500 mBar  
Pressure up to + 500 mBar  
Size 4,6,8,10,12,14,16 inches

### ROTARY VALVE TRC / LIGHT DUTY FEEDING TYPE / (LF)



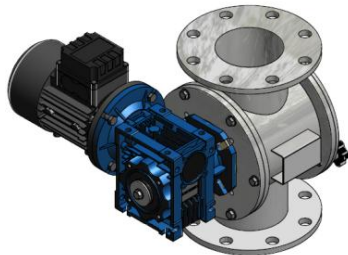
In board bearing, powder handling rotary valve for feeding, very low vacuum & pressure pneumatic conveying system  
Vacuum down to – 50 mBar  
Pressure up to + 50 mBar  
Size 4,5,6,8,10,12,14,16 inches

### ROTARY VALVE TRC / COMPACT TYPE



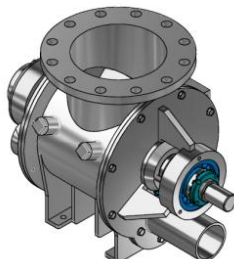
Compact & Easy clean Type, powder handling rotary valve for feeding, medium vacuum & low pressure pneumatic conveying system  
Vacuum down to –250 to 500 mBar  
Pressure up to + 100 to 200 mBar  
Size 4,5,6,8 inches

### ROTARY VALVE TRC / DOUBLE BEARING COMPACT TYPE



Compact Type, double bearing, powder handling rotary valve for feeding, high vacuum & low pressure pneumatic conveying system  
Vacuum down to –500 mBar  
Pressure up to + 200 mBar  
Size 8,10,12,14,16 inches

### ROTARY VALVE TRC / HEAVY DUTY BLOW THROUGH TYPE (HD-BL)



Out board bearing blow through, powder & pellet handling rotary valve for high vacuum & pressure pneumatic conveying system  
Vacuum down to – 500 mBar  
Pressure up to + 500 mBar  
Size 4,5,6,8,10,12,14,16 inches



## ROTARY VALVE TRC / EASY CLEAN HAVY DUTY TYPE / (ES-HD)



Quick detachable, Easy clean Type, powder handling rotary valve for high vacuum & pressure pneumatic conveying system  
Vacuum down to -500 mBar  
Pressure up to + 500 mBar  
Size 4,5,6 inches

## ROTARY VALVE TRC / EASY CLEAN HEAVY DUTY - SLIDE ARMS TYPE / (HD-SL)



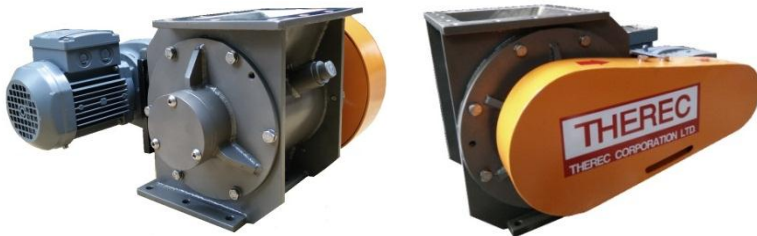
Slide arm Quick detachable, Easy clean Type, powder handling rotary valve for high vacuum & pressure pneumatic conveying system  
Vacuum down to -500 mBar  
Pressure up to + 500 mBar  
Size 8,10,12,14,16 inches

## ROTARY VALVE TRC / EASY CLEAN HEAVY DUTY BLOW THROUGH SLIDE ARMS / (HBL-SL)



Quick detachable, Easy clean blow through Type, powder handling rotary valve for high vacuum & pressure pneumatic conveying system  
Vacuum down to -500 mBar  
Pressure up to + 500 mBar  
Size 8,10,12,14,16 inches

## ROTARY VALVE TRC / PELLET TYPE (PL)



In board bearing pellet handling rotary valve for high vacuum and low pressure pneumatic conveying system  
Vacuum down to - 500 mBar  
Pressure up to + 200 mBar  
Size 6,8,10,12,14,16 inches

## ROTARY VALVE TRC / WOOD DUST HAVY DUTY TYPE / (WD)



Out board bearing with hard chromed internal surface wood dust handling rotary valve for high vacuum & pressure pneumatic conveying system  
Vacuum down to - 500 mBar  
Pressure up to + 500 mBar  
Size 16,20 inches

## DROP OUT BOX (Light Duty Venture for Rotary Valve )



Material in Carbon steel , Stainless steel  
304, 316  
Size 4,5,6,8,10,12,14,16 inches

## FLAP TYPE PNEUMATIC CONVEYING DIVERTER VALVE TRC



Flap Type, powder & pellet handling diverter valve for medium vacuum & high pressure pneumatic conveying system

Vacuum down to -300 mBar  
Pressure up to + 500 mBar  
Size 3,4,5,6,8,10 inches

## GRAVITY FEED TYPE DIVERTER VALVE TRC



Flap Type, powder & pellet handling diverter valve for gravity feeding  
Size 4,5,6,8,10,12,14,16,18,20 inches

## BALL TYPE DIVERTER VALVE



Ball Type, Carbon steel ,Stainless steel 304  
Size 2,3,4,5 inches

## TAILOR MADE DIVERTER VALVE



Tailor made, Carbon steel ,  
Stainless steel 304  
Size,4,5,6,8,10 inches

## SCALE VALVE /FILL VENT VALVE



Carbon steel , Stainless steel 304, 316  
Size 2,3,4,5,6,8,10 inches

## PRODUCT SAMPLING VALVE FOR FOOD INDUSTRY



Piston type Product Sampling valve  
Stainless steel 304, 316  
Size 2.0 inches